

MATRIX

LIFESTYLE CLIMBMILL





IMPORTANT PRECAUTIONS

SAVE THESE INSTRUCTIONS

When using Matrix exercise equipment, basic precautions should always be followed, including the following: Read all instructions before using this equipment. It is the responsibility of the owner to ensure that all users of this equipment are adequately informed of all warnings and precautions.

This equipment is for indoor use only. This training equipment is a Class S product designed for use in a commercial environment such as a fitness facility.

This equipment is for use only in a climate-controlled room. If your exercise equipment has been exposed to colder temperatures or high moisture climates, it is strongly recommended that this equipment is warmed up to room temperature prior to use.

DANGER!

TO REDUCE THE RISK OF ELECTRICAL SHOCK:

Always unplug the equipment from the electrical outlet before cleaning, performing maintenance and putting on or taking off parts.

WARNING!

TO REDUCE THE RISK OF BURNS, FIRE, ELECTRICAL SHOCK OR INJURY TO PERSONS:

- Use this equipment only for its intended use as described in this guide and in the equipment's Owner's Manual.
- At NO time should children under the age of 14 use the equipment.
- At NO time should pets or children under the age of 14 be closer to the equipment than 10 feet / 3 meters.
- This equipment is not intended for use by persons with reduced physical, sensory or mental capabilities, or lack of experience and knowledge, unless they are supervised or have been given instruction concerning use of the equipment by a person responsible for their safety.
- Always wear athletic shoes while using this equipment. NEVER operate the exercise equipment with bare feet.
- Do not wear any clothing that might catch on any moving parts of this equipment.
- Heart rate monitoring systems may be inaccurate. Over exercising may result in serious injury or death.
- Incorrect or excessive exercise may result in serious injury or death. If you experience any kind of pain, including but not limited to chest pains, nausea, dizziness, or shortness of breath, stop exercising immediately and consult your physician before continuing.
- Do not jump on the equipment.
- At no time should more than one person be on the equipment.
- Set up and operate this equipment on a solid level surface.
- Never operate the equipment if it is not working properly or if it has been damaged.
- Use handlebars to maintain balance when mounting and dismounting, and for additional stability while exercising.
- To avoid injury, do not expose any body parts (for example, fingers, hands, arms or feet) to the drive mechanism or other potentially moving parts of the equipment.
- Connect this exercise product to a properly grounded outlet only.
- This equipment should never be left unattended when plugged in. When not in use, and prior to servicing, cleaning, or moving equipment, turn off power, then unplug from outlet.
- Do not use any equipment that is damaged or has worn or broken parts. Use only replacement parts supplied by Customer Technical Support or an authorized dealer.
- Never operate this equipment if it has been dropped, damaged, or is not working properly, has a damaged cord or plug, is located in a damp or wet environment, or has been immersed in water.
- Keep power cord away from heated surfaces. Do not pull on this power cord or apply any mechanical loads to this cord.
- Do not remove any protective covers unless instructed by Customer Technical Support. Service should only be done by an authorized service technician.
- To prevent electrical shock, never drop or insert any object into any opening.
- Do not operate where aerosol (spray) products are being used or when oxygen is being administered.
- This equipment should not be used by persons weighing more than the specified maximum weight capacity as listed in the equipment Owner's Manual. Failure to comply will void the warranty.
- This equipment must be used in an environment that is both temperature and humidity controlled. Do not use this equipment in locations such as, but not limited to: outdoors, garages, car ports, porches, bathrooms, or located near a swimming pool, hot tub, or steam room. Failure to comply will void the warranty.
- Contact Customer Technical Support or an authorized dealer for examination, repair and/or service.
- Never operate this exercise equipment with the air opening blocked. Keep the air opening and internal components clean, free of lint, hair, and the like.
- Do not modify this exercise device or use unapproved attachments or accessories. Modifications to this equipment or use of unapproved attachments or accessories will void your warranty and may cause injury.
- To clean, wipe surfaces down with soap and slightly damp cloth only; never use solvents. (See MAINTENANCE)
- Use the stationary training equipment in a supervised environment.
- Individual human power to perform exercise may be different than the mechanical power displayed.
- When exercising, always maintain a comfortable and controlled pace.



POWER REQUIREMENTS

CAUTION!

This equipment is for indoor use only. This training equipment is a Class S product designed for use in a commercial environment such as a fitness facility.

1. Do not use this equipment in any location that is not temperature controlled, such as but not limited to garages, porches, pool rooms, bathrooms, car ports or outdoors. Failure to comply may void the warranty.
2. It is essential that this equipment is used only indoors in a climate controlled room. If this equipment has been exposed to colder temperatures or high moisture climates, it is strongly recommended that the equipment is warmed up to room temperature and allowed time to dry out before first time use.
3. Never operate this equipment if it has been dropped, damaged, or is not working properly, has a damaged cord or plug, is located in a damp or wet environment, or has been immersed in water.

ELECTRICAL REQUIREMENTS

Any alterations to the standard power cord provided could void all warranties of this product.

Units with LED and Premium LED consoles are designed to be self-powered and do not require an external power supply source to operate. Without an external power supply, the console's start-up time may be delayed. Add-on TV's and other console accessories require an external power supply. An external power supply will ensure power is provided to the console at all times and is required when add-on accessories are used.

For units with an integrated TV (Touch), the TV power requirements are included in the unit. An RG6 quad shield coaxial cable with 'F Type' compression fittings on each end will need to be connected to the cardio unit and the video source. Additional power requirements are not needed for the add-on digital TV.

120 V UNITS

Units require nominal 120 VAC, 50-60 Hz and at least a 15 A circuit with a dedicated neutral and dedicated ground wires with no more than 4 units per circuit. The electrical outlet must have a ground connection and have the same configuration as the plug included with the unit. No adapter should be used with this product.

220-240 V UNITS

Units require nominal 220-240 VAC, 50-60 Hz and at least a 10 A circuit with a dedicated neutral and dedicated ground wires with no more than 4 units per circuit. The electrical outlet must have a ground connection and have the same configuration as the plug included with the unit. No adapter should be used with this product.

GROUNDING INSTRUCTIONS

The unit must be grounded. If it should malfunction or breakdown, grounding provides a path of least resistance for electric current to reduce the risk of electric shock. The unit is equipped with a cord having an equipment-grounding conductor and a grounding plug. The plug must be plugged into an appropriate outlet that is properly installed and grounded in accordance with all local codes and ordinances. If the user does not follow these grounding instructions, the user could void the Matrix limited warranty.

ENERGY SAVING / LOW-POWER MODE

All units are configured with the ability to enter into an energy saving / low-power mode when the unit has not been in use for a specified period of time. Additional time may be required to fully reactivate this unit once it has entered the low-power mode. This energy saving feature may be enabled or disabled from within the 'Manager Mode' or 'Engineering Mode.'

ADD-ON DIGITAL TV (LED, PREMIUM LED)

Add-on digital TV's require additional power and must use an external power supply. An RG6 coaxial cable with 'F Type' compression fittings will need to be connected between the video source and each add-on digital TV unit.



ASSEMBLY

UNPACKING

Unpack the equipment where you will be using it. Place the carton on a level flat surface. It is recommended that you place a protective covering on your floor. Never open box when it is on its side.

IMPORTANT NOTES

- All video and power outlets must be functional the day of delivery / assembly of the product. The client is responsible for any additional installation charges associated with return visits.
- During each assembly step, ensure that ALL nuts and bolts are in place and partially threaded.
- Several parts have been pre-lubricated to aid in assembly and usage. Please do not wipe this off. If you have difficulty, a light application of lithium grease is recommended.

WARNING!

There are several areas during the assembly process that special attention must be paid. It is very important to follow the assembly instructions correctly and to make sure all parts are firmly tightened. If the assembly instructions are not followed correctly, the equipment could have parts that are not tightened and will seem loose and may cause irritating noises. To prevent damage to the equipment, the assembly instructions must be reviewed and corrective actions should be taken.

NEED HELP?

If you have questions or if there are any missing parts, contact Customer Tech Support.

TOOLS REQUIRED:

- 6mm L-Wrench
- 5mm L-Wrench
- 8mm L-Wrench
- Phillips Screwdriver

PARTS INCLUDED:

- 1 Base Frame
 - 1 Console Mast
 - 1 Console Mast Cover
 - 1 Handlebar
 - 2 Handlebar Masts
 - 2 Handlebar Covers
 - 1 Rubber Gasket
 - 1 Control Zone
 - 1 Power Cord
 - 1 Hardware Kit
- Console sold separately

PRODUCT SPECIFICATIONS

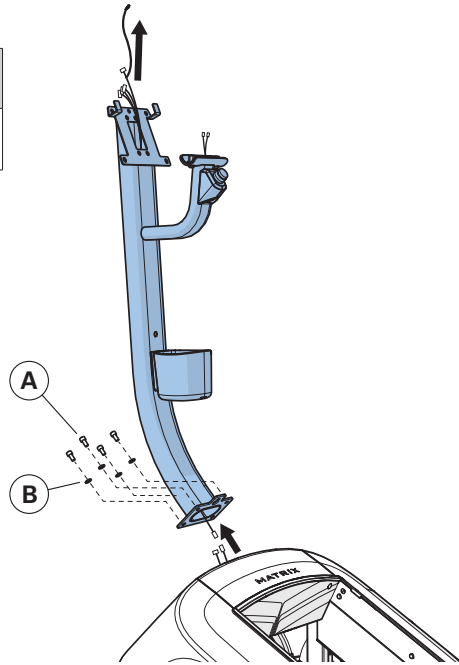
CONSOLE	LIFESTYLE			
	TOUCH XL	TOUCH	PREMIUM LED	LED / GROUP TRAINING LED
Max User Weight	136 kg / 300 lbs			
Product Weight	150 kg / 330.7 lbs	147.1 kg / 324.4 lbs	145.3 kg / 320.3 lbs	144.6 kg / 318.8 lbs
Shipping Weight	168.7 kg / 371.9 lbs	164.1 kg / 361.8 lbs	162.3 kg / 357.8 lbs	161.6 kg / 356.3 lbs
Overall Dimensions (L x W x H)*	163 x 72 x 214.5 cm / 64.2" x 28.3" x 84.4"	160.4 x 71.7 x 207.6 cm / 63.1" x 28.2" x 81.7"	160.4 x 71.7 x 207.6 cm / 63.1" x 28.2" x 81.7"	160.4 x 71.7 x 207.6 cm / 63.1" x 28.2" x 81.7"

* Ensure a minimum clearance width of 0.6 meters (24") for access to and passage around MATRIX equipment. Please note, 0.91 meters (36") is the ADA recommended clearance width for individuals in wheelchairs.

ASSEMBLY

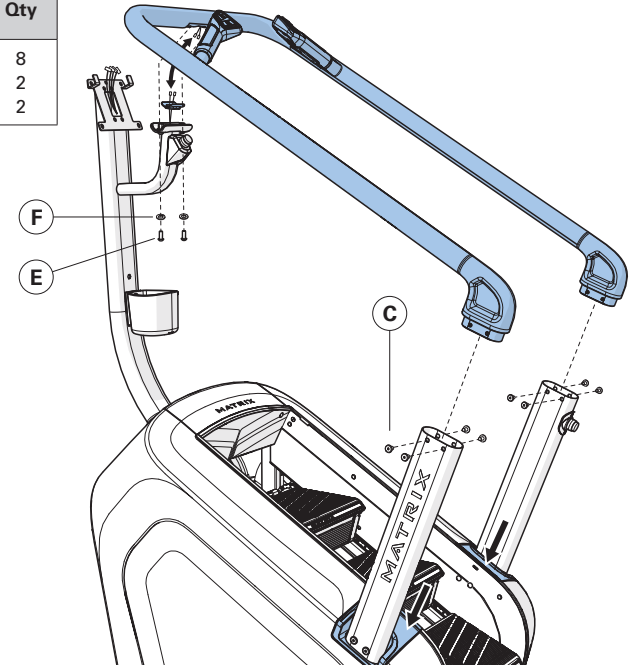
1	Hardware	Qty
A	Bolt	4
B	Flat Washer	4

IMPORTANT: Do not tighten bolts until step 3 is complete.



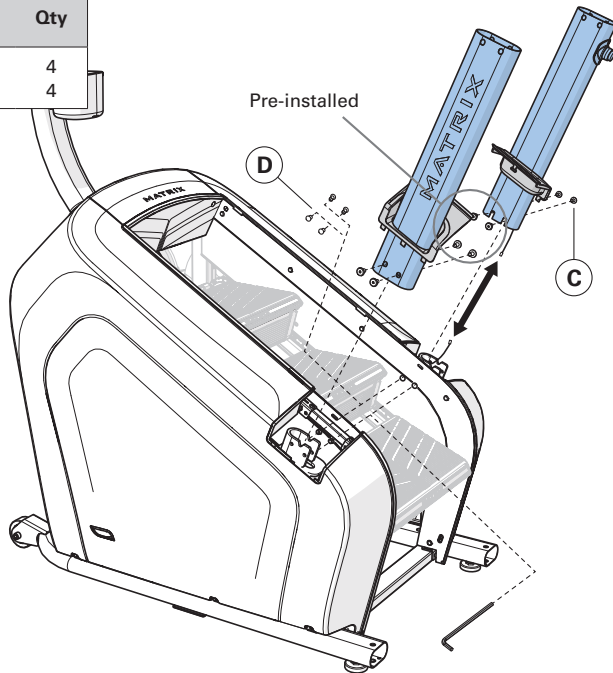
3	Hardware	Qty
C	Flat Head Bolt	8
E	Button Head Bolt	2
F	Arc Washer	2

Tighten all bolts from steps 1-3 to 24 Nm / 17.7 ft-lb



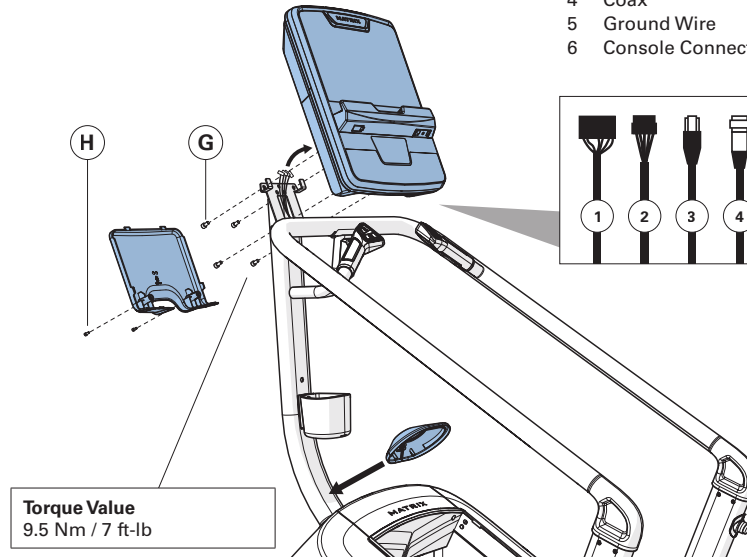
2	Hardware	Qty
C	Flat Head Bolt	4
D	Plug	4

IMPORTANT: Do not tighten bolts until step 3 is complete.



4	Hardware	Qty
G	Bolt	4
H	Screw	2

- 1 LCB Communication
- 2 Extension Power Wire
- 3 Ethernet
- 4 Coax
- 5 Ground Wire
- 6 Console Connect Wires

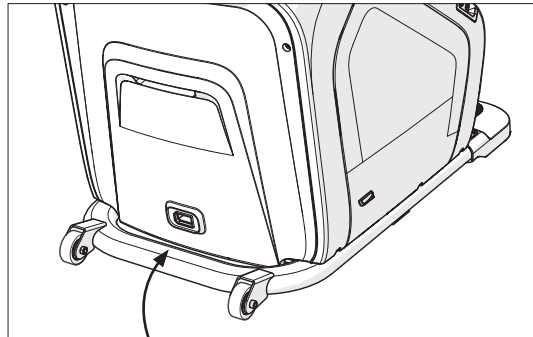
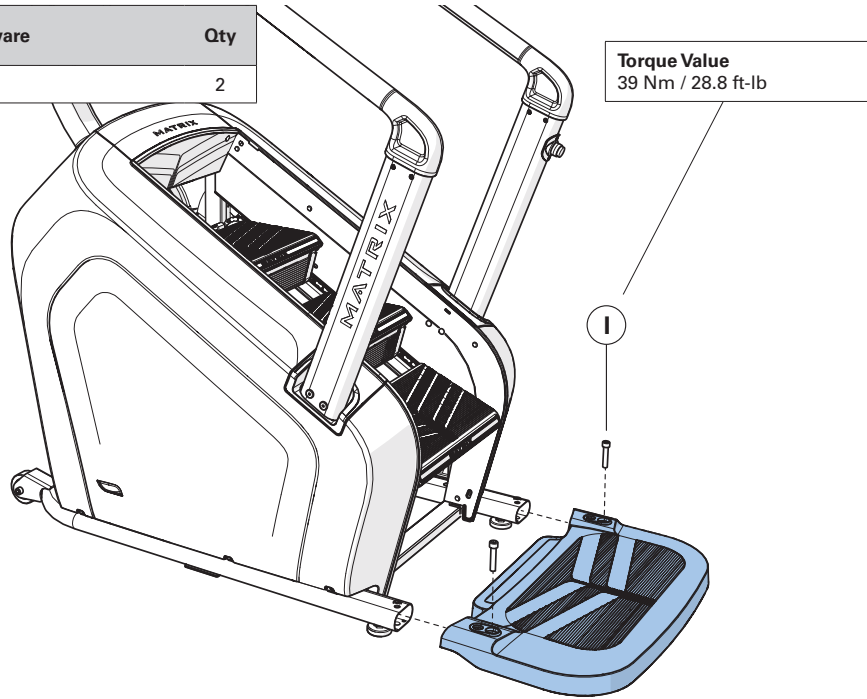


Torque Value
9.5 Nm / 7 ft-lb



ASSEMBLY

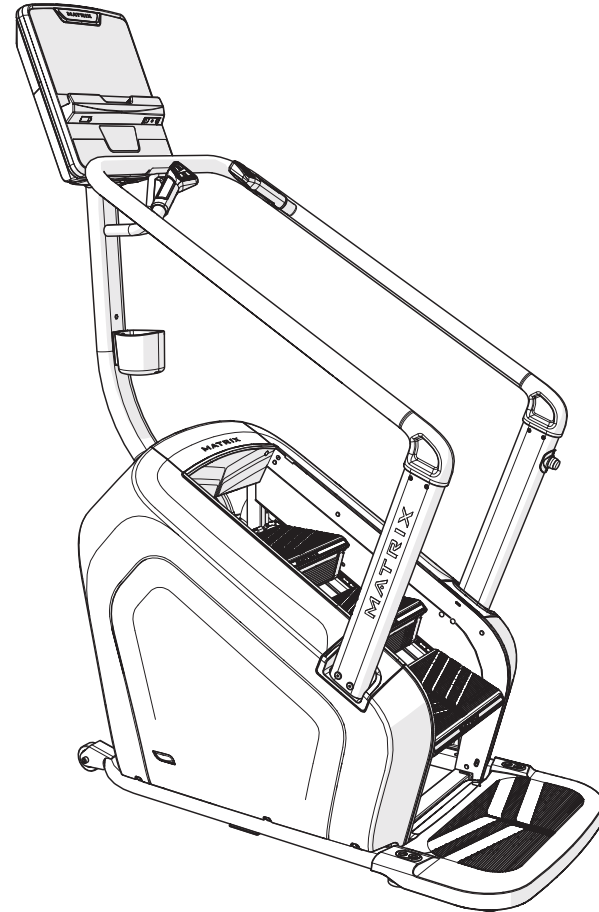
5	Hardware	Qty
1	Bolt	2



PLACE WARNING LABEL HERE

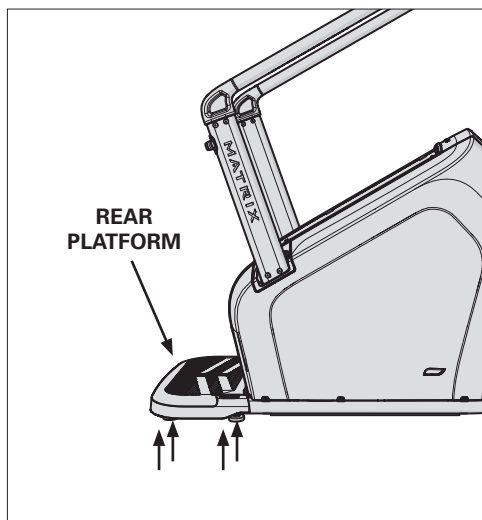
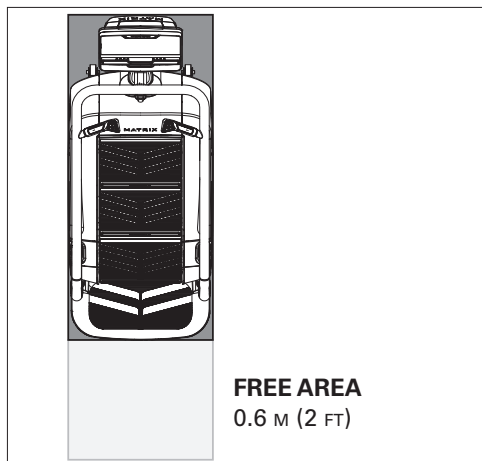
WARNING	AVERTISSEMENT	PRECAUCIÓN
UNPLUG BEFORE CLEANING OR SERVICING TO REDUCE THE RISK OF ELECTRIC SHOCK OR INJURY FROM MOVING PARTS.	DÉBRANCHEZ L'APPAREIL AVANT NETTOYAGE OU ENTRETIEN AFIN DE RÉDUIRE LE RISQUE D'ÉLECTROCUTION OU DE BLESSURE PAR DES PIÈCES EN MOUVEMENT.	DESENCHUFE LA MÁQUINA ANTES DE LIMPIARLA O DE SOMETERLA A MANTENIMIENTO PARA REDUCIR EL RIESGO DE ELECTROCUTION O DE LESIONES POR PIEZAS MÓVILES.

ASSEMBLY COMPLETE





BEFORE YOU BEGIN



LOCATION OF THE UNIT

Place the unit on a level and stable surface away from direct sunlight. The intense UV light can cause discoloration on the plastics. Locate your unit in an area with cool temperatures and low humidity. Please leave a clear zone behind the unit that is at least 24" (610 mm). This zone must be clear of any obstruction and provide the user a clear exit path from the machine. Do not place the unit in any area that will block any vent or air openings. The unit should not be located in a garage, covered patio, near water or outdoors.

HEIGHT AND WEIGHT REQUIREMENTS

The equipment adds 20" – 25" (50 – 64.5 cm) to a user's height. For example, a 6'1" (185 cm) tall user will be 7'9" – 8'2" (236 – 249 cm) off the floor. The ClimbiMill requires a minimum user weight of 99 lbs (45 kgs) and has a maximum user capacity of 300 lbs (136 kgs).

FOOTPRINT: 135 x 72 cm / 53" x 28"

HEIGHT: 190 cm / 75"

WEIGHT: 134.5 kg / 296 lbs.

MOVING THE EQUIPMENT

The ClimbiMill has a pair of transport wheels built into the front of the frame. To move, first remove the power supply and firmly grasp rear platform, carefully tilt and roll. Note: be sure to grab the steel frame and not the plastic.

LEVELING THE EQUIPMENT

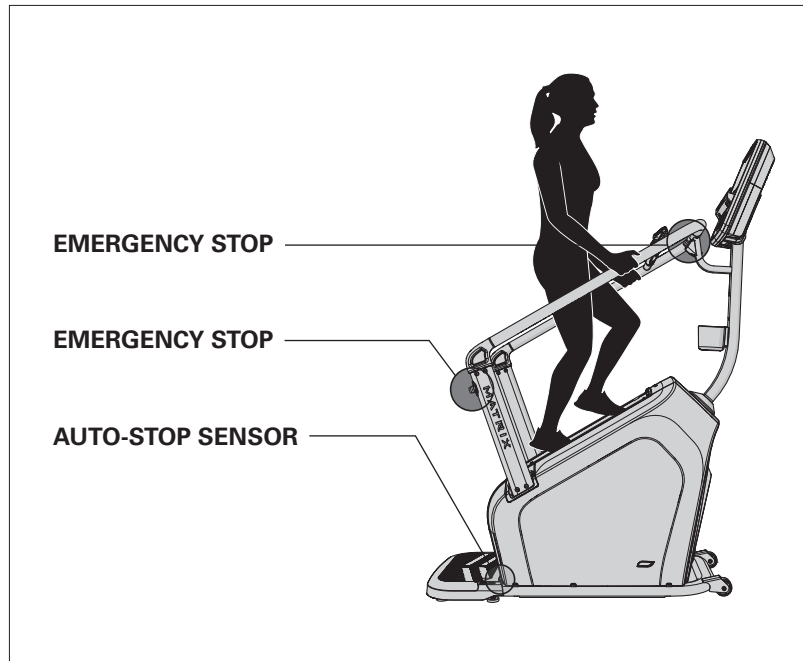
It is extremely important that the levelers are correctly adjusted for proper operation. Turn leveling foot clockwise to lower and counter-clockwise to raise unit. Adjust each side as needed until the equipment is level. Use of a level is recommended.

WARNING!

Our equipment is heavy, use care and additional help if necessary when moving. Failure to follow these instructions could result in injury.



BEFORE YOU BEGIN



PROPER USAGE

MOUNTING THE CLIMBMILL

1. There are two **EMERGENCY STOP BUTTONS** on the ClimbMill. One emergency stop button is located at the top of the handlebars and the second is located on the lower right side handlebar. The **EMERGENCY STOP BUTTONS** will bring the step surfaces to a complete stop when pressed.
2. The **AUTO-STOP SENSOR** will bring the step surfaces to a complete stop upon detecting an object under the bottom step.
3. Stand directly behind the ClimbMill on the rear platform. Grasp the handlebars and step onto the ClimbMill until you are within comfortable reach of the console, top emergency stop lever, and in-reach handlebar controls.
4. To determine proper workout position, stand on the steps within comfortable reach of the console. Maintain a constant distance from the console and in-reach handlebar controls. Keep your knees slightly bent at all times.
5. Dismounting the ClimbMill - After the steps have come to a complete stop and while grasping the handlebars, step down onto the rear platform.

USING THE HEART RATE FUNCTION

The heart rate function on this product is not a medical device. While heart rate grips can provide a relative estimation of your actual heart rate, they should not be relied on when accurate readings are necessary. Some people, including those in a cardiac rehab program, may benefit from using an alternate heart rate monitoring system like a chest or wrist strap. Various factors, including movement of the user, may affect the accuracy of your heart rate reading. The heart rate reading is intended only as an exercise aid in determining heart rate trends in general. Please consult your physician.

WARNING!

Heart rate monitoring systems may be inaccurate. Over exercising may result in serious injury or death. If you feel faint, stop exercising immediately.

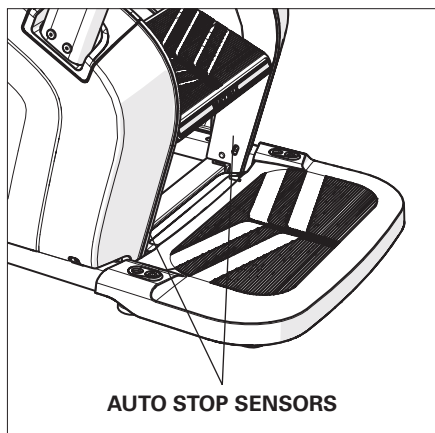


MAINTENANCE

1. Any and all part removal or replacement must be performed by a qualified service technician.
2. DO NOT use any equipment that is damaged and or has worn or broken parts. Use only replacement parts supplied by your country's local MATRIX dealer.
3. MAINTAIN LABELS AND NAMEPLATES: Do not remove labels for any reason. They contain important information. If unreadable or missing, contact your MATRIX dealer for a replacement.
4. MAINTAIN ALL EQUIPMENT: Preventative maintenance is the key to smooth operating equipment as well as keeping your liability to a minimum. Equipment needs to be inspected at regular intervals.
5. Ensure that any person(s) making adjustments or performing maintenance or repair of any kind is qualified to do so. MATRIX dealers will provide service and maintenance training at our corporate facility upon request.

WARNING

To remove power from the unit, the power cord must be disconnected from the wall outlet.



MAINTENANCE SCHEDULE	
ACTION	FREQUENCY
Clean and inspect the ClimbiMill: <ul style="list-style-type: none"> • Turn off the machine with the ON/OFF switch, then unplug the power cord at the wall outlet. • Clean entire machine using water and a mild soap applied to a soft cloth. Never use solvents, as they can cause damage to the ClimbiMill. Never spray cleaner directly onto the machine or console. • Inspect the power cord. If the power cord is damaged. • Make sure the power cord is not underneath the machine or in any other area where it can become pinched or cut during storage or use. • If any labels are damaged or illegible. 	BEFORE EACH USE
Clean underneath the machine: <ul style="list-style-type: none"> • Turn off the machine with the ON/OFF switch, then unplug the power cord at the wall outlet. • Remove the service cover from the front of the machine by the 2 screws and wipe or vacuum any grease, dust particles or other objects that may have accumulated on any surface. Return the service cover to its previous position. • Wipe or vacuum any dust particles or other objects that may have accumulated around the machine. 	WEEKLY
Unplug the ClimbiMill and clean the AUTO STOP SENSORS (located under the bottom step).	WEEKLY
IMPORTANT! <ul style="list-style-type: none"> • Turn off the machine with the ON/OFF switch, then unplug the power cord at the wall outlet. Wait 60 seconds. • Inspect all assembly bolts of the machine for proper tightness. Reference assembly steps for proper tension of each bolt. • Remove the front access cover. Wait until ALL LED lights turn off. • Clean the area to eliminate any lint or dust particles that may have accumulated. Failure to do so may result in premature failure of key electrical components. • Check step motion by rotating the steps backwards to ensure free movement. • Check stability to ensure the ClimbiMill does not rock or wobble. Adjust levelers as necessary. 	MONTHLY

MATRIX



LIFESTYLE CLIMBMILL

© 2021 Johnson Health Tech

Rev 1.4 A