



IMPORTANT SAFETY INFORMATION

It is the sole responsibility of the purchaser of MATRIX products to instruct all individuals, whether they are the end user or supervising personnel on proper usage of the equipment.

It is recommended that all users of MATRIX exercise equipment be informed of the following information prior to its use.

Do not use any equipment in any way other than designed or intended by the manufacturer. It is imperative that MATRIX equipment be used properly to avoid injury.

INSTALLATION

STABLE AND LEVEL SURFACE: MATRIX exercise equipment must be installed on a stable base and properly leveled.

ADDITIONAL NOTES

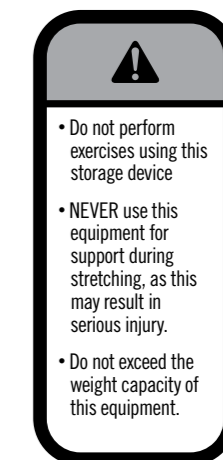
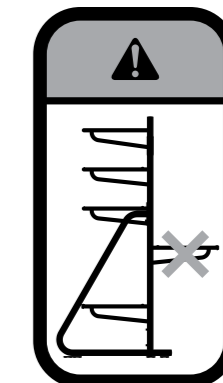
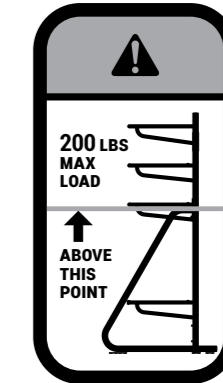
This equipment should only be used in supervised areas where access and control is specifically regulated by the owner. It is up to the owner to determine who is allowed access to this training equipment. The owner should consider a user's: degree of reliability, age, experience, etc.

This training equipment meets industry standards for stability when used for its intended purpose in accordance with the instructions provided by the manufacturer.

This equipment is for indoor use only.

PROPER USAGE

1. Do not exceed weight limits of this equipment.
2. Balance the weight applied to this equipment.
3. Add or remove no more weight than you can safely lift and control.
4. Engage wheel locks when this equipment is stationary to prevent unintended motion.
5. Push (do not pull on this equipment) when moving.
6. Maintain control of this equipment at all times when moving.



- Do not perform exercises using this storage device
- NEVER use this equipment for support during stretching, as this may result in serious injury.
- Do not exceed the weight capacity of this equipment.





MAINTENANCE

1. DO NOT use any equipment that is damaged and or has worn or broken parts. Use only replacement parts supplied by your country's local MATRIX dealer.
2. MAINTAIN LABELS AND NAMEPLATES: Do not remove labels for any reason. They contain important information. If unreadable or missing, contact your MATRIX dealer for a replacement.
3. MAINTAIN ALL EQUIPMENT: Preventative maintenance is the key to smooth operating equipment as well as keeping your liability to a minimum. Equipment needs to be inspected at regular intervals.
4. Ensure that any person(s) making adjustments or performing maintenance or repair of any kind is qualified to do so. MATRIX dealers will provide service and maintenance training at our corporate facility upon request.

WARRANTY

For North America, please visit www.matrixfitness.com for warranty information along with warranty exclusions and limitations.

MAINTENANCE CHECKLIST	
ACTION	FREQUENCY
Inspect Hardware/Pull pins	Monthly
Inspect Frame	Bi-Annually
Clean Machine	As Needed
Clean Grips *	As Needed

* Grips should be cleaned with a mild soap and water or a non-ammonia based cleaner.

PRODUCT SPECIFICATIONS	
Max Storage Weight	363 kg / 800 lbs
Product Weight	160kg / 353 lbs
Shipping Weight	189kg / 417 lbs
Overall Dimensions (L x W x H)*	85 x 140 x 185 cm (33.5 x 55.1 x 72.9")

* Ensure a minimum clearance width of 0.6 meters (24") for access to and passage around MATRIX strength equipment. Please note, 0.91 meters (36") is the ADA recommended clearance width for individuals in wheelchairs.



UNPACKING

Thank you for purchasing a MATRIX Fitness product. It is inspected before it is packaged. It is shipped in multiple pieces to facilitate the compact packaging of the machine. Prior to assembly, confirm all the components by matching them with the exploded diagrams. Carefully unpack the unit from this box and dispose of the packing materials in accordance with your local laws.

TOOLS REQUIRED FOR ASSEMBLY (not included)

3MM L-Shaped Allen Wrench



4MM L-Shaped Allen Wrench



5MM L-Shaped Allen Wrench



6MM L-Shaped Allen Wrench



8MM L-Shaped Allen Wrench



CAUTION

To avoid injury to yourself and prevent damage to the frame components, be sure to have proper assistance removing the frame pieces from this box. Please be sure to install the equipment on a stable base, and properly level the machine. Ensure a minimum clearance width of 0.6 meters (24") for access to and passage around MATRIX strength equipment. Please note, 0.91 meters (36") is the ADA recommended clearance width for individuals in wheelchairs.

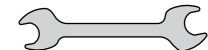
10MM L-Shaped Allen Wrench



Phillips Screwdriver



8MM Open-End Wrench



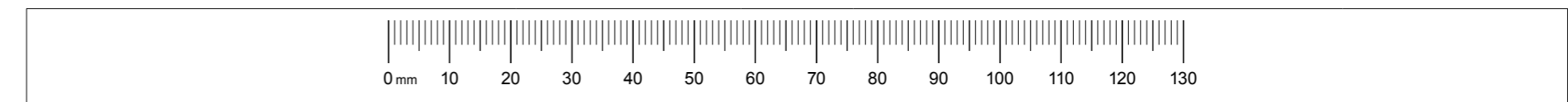
17MM Open-End Wrench



Guide Rod Lubrication



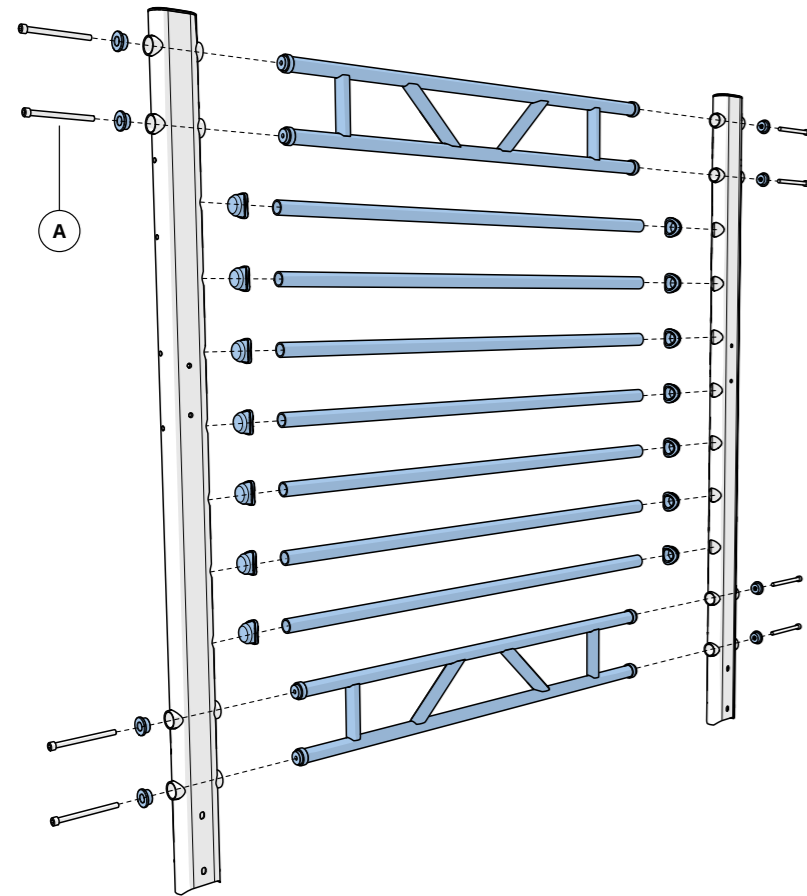
If any items are missing please contact your country's local MATRIX dealer for assistance.



* Use Vibra-Tite 135 Red Gel Threadlocker where Nyloc nuts are not used.

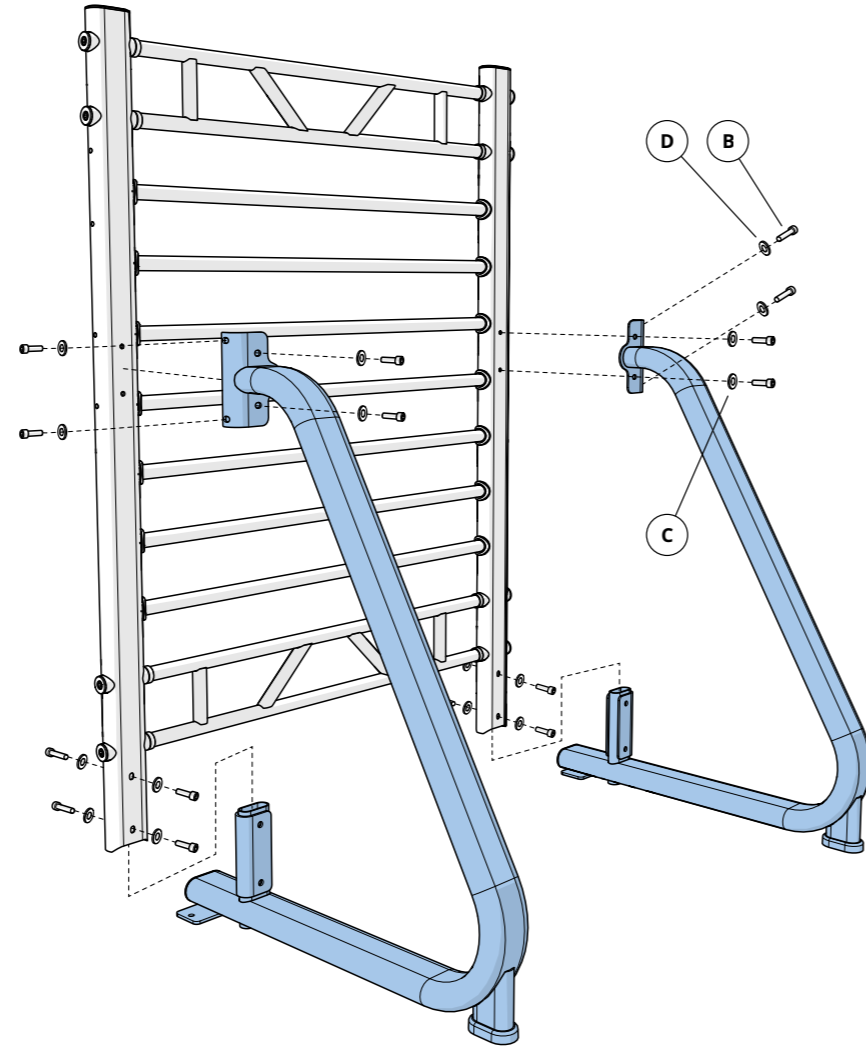
1

Step 1 Hardware		
Description	Qty	
A Bolt (M10x125L)	8	
Torque Value		
77 Nm / 57 ft-lb		



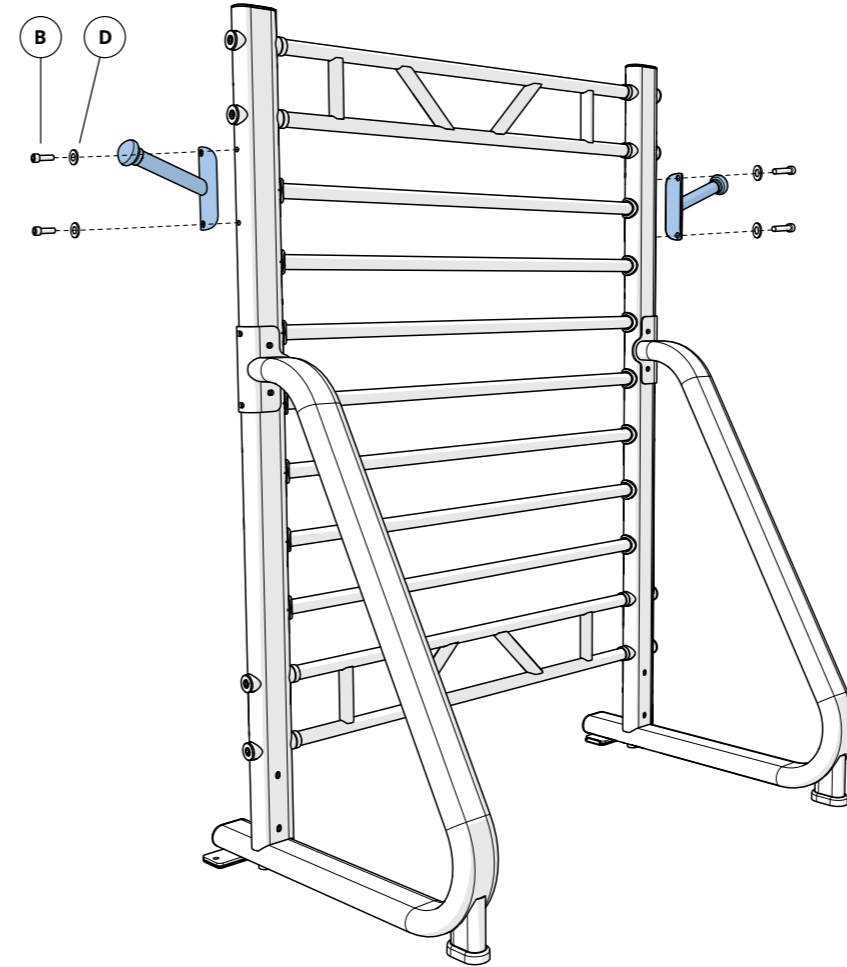
2

Step 2 Hardware		
Description	Qty	
B Bolt (M10x20L)	16	
C Washer (M10)	12	
D Arc Washer (M10)	4	
Torque Value		
40 Nm / 30 ft-lb		



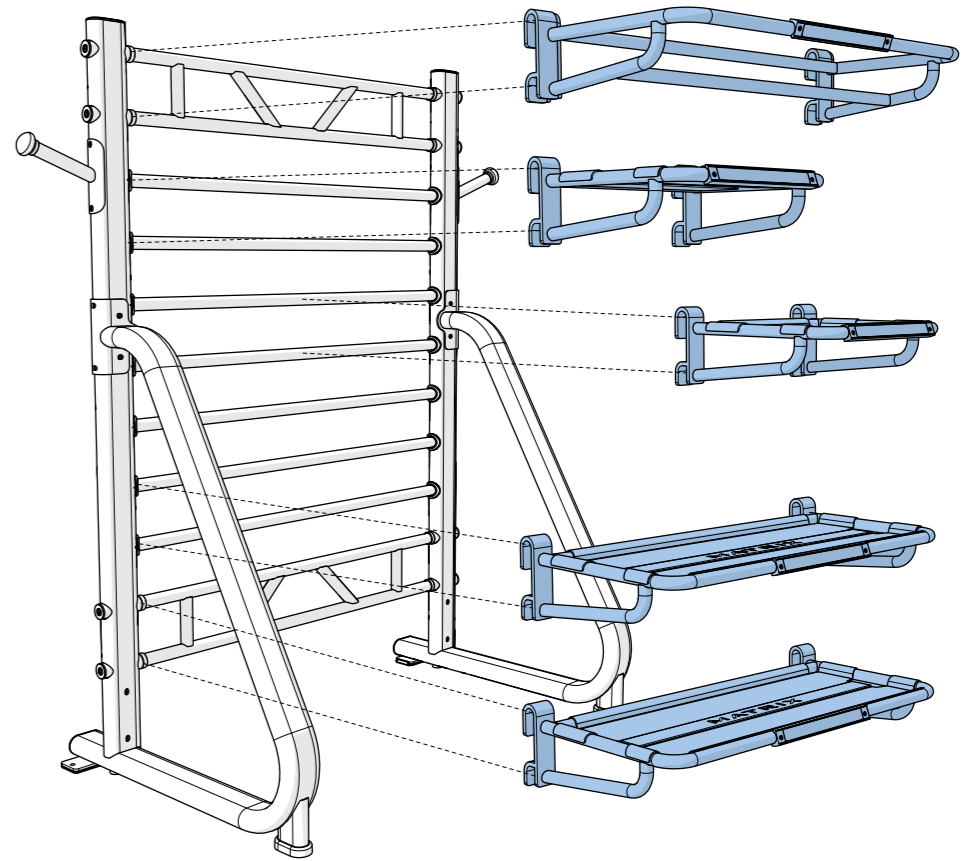
3

Step 3 Hardware		
Description	Qty	
B Bolt (M10x20L)	4	
D Arc Washer (M10)	4	
Torque Value		
40 Nm / 30 ft-lb		



4

ASSEMBLY COMPLETE!



MATRIX

CONNEXUS STORAGE STATION GFTORG

© 2018 Johnson Health Tech

Part # 1000414045

Rev 1.0 A