

MATRIX

MAGNUM SERIES

MG-A526
MG-A528

MG-A536
MG-A538

MG-A544



IMPORTANT SAFETY INFORMATION

It is the sole responsibility of the purchaser of MATRIX products to instruct all individuals, whether they are the end user or supervising personnel on proper usage of the equipment.

It is recommended that all users of MATRIX exercise equipment be informed of the following information prior to its use.

Do not use any equipment in any way other than designed or intended by the manufacturer. It is imperative that MATRIX equipment be used properly to avoid injury.

INSTALLATION

1. **STABLE AND LEVEL SURFACE:** MATRIX exercise equipment must be installed on a stable base and properly leveled.
2. **SECURING EQUIPMENT:** Manufacturer recommends that all stationary MATRIX strength equipment be secured to the floor to stabilize equipment and eliminate rocking or tipping over. This must be performed by a licensed contractor.
3. Under no circumstances should you slide equipment across the floor due to risk of tipping. Use proper materials handling techniques and equipment recommended by OSHA.

All anchor points must be able to withstand 750 lbs. (3.3 kN) pull-out force.

MAINTENANCE

1. **DO NOT** use any equipment that is damaged and or has worn or broken parts. Use only replacement parts supplied by your country's local MATRIX dealer.
2. **MAINTAIN LABELS AND NAMEPLATES:** Do not remove labels for any reason. They contain important information. If unreadable or missing, contact your MATRIX dealer for a replacement.
3. **MAINTAIN ALL EQUIPMENT:** Preventative maintenance is the key to smooth operating equipment as well as keeping your liability to a minimum. Equipment needs to be inspected at regular intervals.
4. Ensure that any person(s) making adjustments or performing maintenance or repair of any kind is qualified to do so. MATRIX dealers will provide service and maintenance training at our corporate facility upon request.

ADDITIONAL NOTES

This equipment should only be used in supervised areas where access and control is specifically regulated by the owner. It is up to the owner to determine who is allowed access to this equipment. The owner should consider a user's: degree of reliability, age, experience, etc.

This equipment meets industry standards for stability when used for its intended purpose in accordance with the instructions provided by the manufacturer.

This equipment is for indoor use only. This equipment is a Class S product (designed for use in a commercial environment such as a fitness facility).



WARNING

DEATH OR SERIOUS INJURY CAN OCCUR ON THIS EQUIPMENT. FOLLOW THESE PRECAUTIONS TO AVOID INJURY!

1. Keep children under the age of 14 away from this strength training equipment. Teenagers must be supervised at all times while using this equipment.
2. This equipment is not intended for use by persons with reduced physical, sensory or mental capabilities, or lack of experience and knowledge, unless they have been given supervision or instruction concerning use of the equipment by a person responsible for their safety.
3. All warnings and instructions should be read and proper instruction obtained prior to use. Use this equipment for its intended purpose ONLY.
4. Inspect the machine before use. DO NOT use machine if it appears damaged or inoperable.
5. Do not exceed weight capacity of this equipment.
6. ALWAYS use a spotter if using free weights.
7. Balance the weight applied to this equipment and/or any barbell. Where applicable, use retention devices to retain weight discs.
8. Injuries to health may result from incorrect or excessive training. Cease exercise if you feel faint or dizzy. Obtain a medical exam before beginning an exercise program.
9. Keep body, clothing, hair, and fitness accessories free and clear of all moving parts.
10. Adjustable stops, where provided, must be used at all times.
11. When adjusting any adjustable mechanism (stop position, seat position, pad location, range of motion limiter, pulley carriage, or any other type), make certain that the adjustable mechanism is fully engaged prior to use to prevent unintended motion.
12. Manufacturer recommends that this equipment be secured to the floor to stabilize and eliminate rocking or tipping over. Use a licensed contractor.
13. If equipment is NOT secured to floor: NEVER allow resistance straps, ropes or other means to be attached to this equipment, as this may result in serious injury. NEVER use this equipment for support during stretching, as this may result in serious injury.
14. DO NOT REMOVE THIS LABEL. REPLACE IF DAMAGED OR ILLEGIBLE.

Plate-loaded / Free Weight



ENGLISH



PROPER USAGE

1. Do not exceed weight limits of the exercise device.
2. If applicable, set safety stops to appropriate height.
3. If applicable, adjust seat pads, leg pads, foot pads, range of motion adjustment, or any other type of adjustment mechanisms to a comfortable start position. Make certain that the adjusting mechanism is fully engaged to prevent unintentional movement and to avoid injury.
4. Sit on bench (if applicable) and get into appropriate position for exercise.
5. Exercise using no more weight than you can safely lift and control.
6. In a controlled manner, perform exercise.
7. Return weight to its fully-supported start position.

WARRANTY

For North America, please visit www.matrixfitness.com for warranty information along with warranty exclusions and limitations.

MAINTENANCE CHECKLIST

ACTION	FREQUENCY
Clean Upholstery *	Daily
Inspect Cables	Daily
Clean Guide Rods	Monthly
Inspect Hardware	Monthly
Inspect Frame	Bi-Annually
Clean Machine	As Needed
Clean Grips *	As Needed
Lubricate Guide Rods †	As Needed

* Upholstery & Grips should be cleaned with a mild soap and water or a non-ammonia based cleaner.

† Guide rods should be lubricated with Teflon based lubricant. Apply the lubricant to a cotton cloth and then apply up and down the guide rods.

PRODUCT SPECIFICATIONS

	MG-A526	MG-A528	MG-A536	MG-A538	MG-A544
Max User Weight	NA				
Product Weight	108 kg / 237.6 lbs.	127 kg / 279.4 lbs.	160 kg / 352 lbs.	193 kg / 424.6 lbs.	118 kg / 259.6 lbs.
Max Storage Weight	780 kg / 1720 lbs.	952 kg / 2100 lbs.	1170 kg / 2580 lbs.	1428 kg / 3150 lbs.	612 kg / 1350 lbs.
Overall Dimensions (L x W x H)*	187 x 63 x 80 cm / 73.3 x 24.6 x 31.3"	233 x 63 x 80 cm / 91.5 x 24.6 x 31.3"	187 x 73 x 102 cm / 73.3 x 28.5 x 40"	233 x 73x 102 cm / 91.5 x 28.5 x 40"	124 x 73 x 102 cm / 48.5 x 28.5 x 40"

* Ensure a minimum clearance width of 0.6 meters (24") for access to and passage around MATRIX strength equipment. Please note, 0.91 meters (36") is the ADA recommended clearance width for individuals in wheelchairs.



UNPACKING

Thank you for purchasing a MATRIX Fitness product. It is inspected before it is packaged. It is shipped in multiple pieces to facilitate the compact packaging of the machine. Prior to assembly, confirm all the components by matching them with the exploded diagrams. Carefully unpack the unit from this box and dispose of the packing materials in accordance with your local laws.

CAUTION

To avoid injury to yourself and prevent damage to the frame components, be sure to have proper assistance removing the frame pieces from this box. Please be sure to install the equipment on a stable base, and properly level the machine. Ensure a minimum clearance width of 0.6 meters (24") for access to and passage around MATRIX strength equipment. Please note, 0.91 meters (36") is the ADA recommended clearance width for individuals in wheelchairs.

TOOLS REQUIRED FOR ASSEMBLY (not included)

3MM L-Shaped Allen Wrench



4MM L-Shaped Allen Wrench



5MM L-Shaped Allen Wrench



6MM L-Shaped Allen Wrench



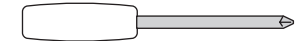
8MM L-Shaped Allen Wrench



10MM L-Shaped Allen Wrench



Phillips Screwdriver



8MM Open-End Wrench



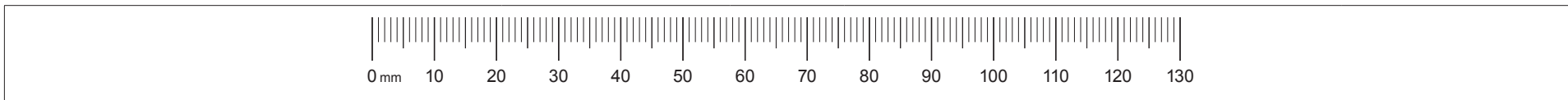
17MM Open-End Wrench



Guide Rod Lubrication



If any items are missing please contact your country's local MATRIX dealer for assistance.





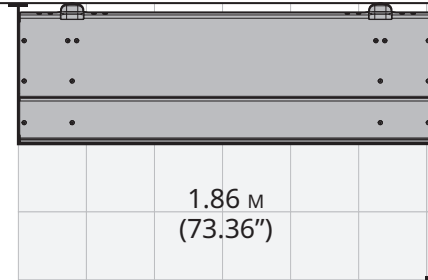
MG-A526

ENGLISH



STORAGE AREA

0.63 M
(24.6")

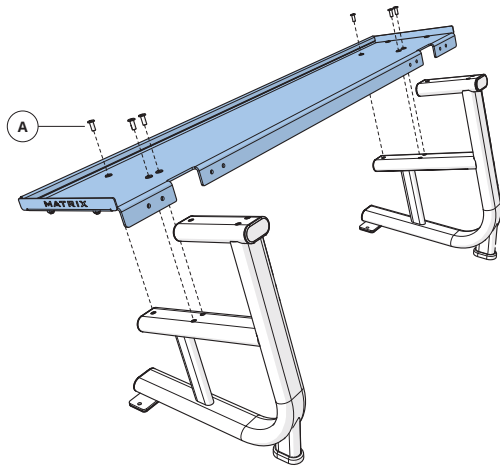


1.86 M
(73.36")

FREE AREA
0.6 M (2 FT)
WIDE PATH

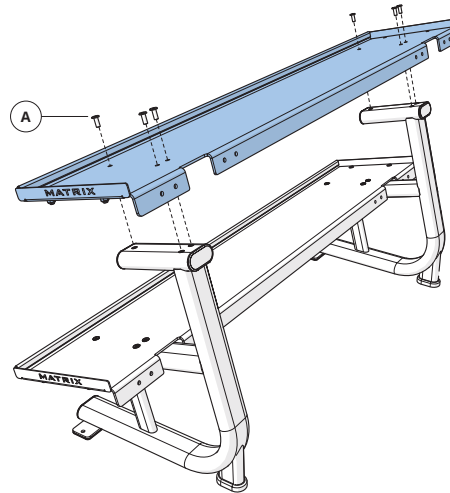
1

Step 1 Hardware		
Description	Qty	
A Bolt (M10x25L)	6	



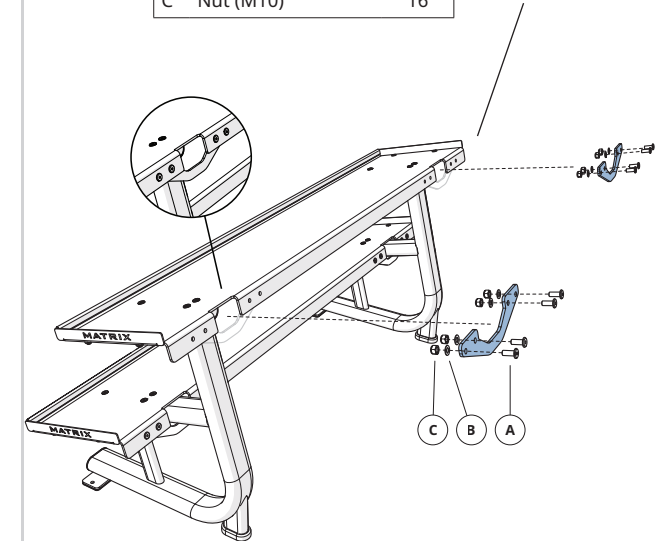
2

Step 2 Hardware		
Description	Qty	
A Bolt (M10x25L)	6	



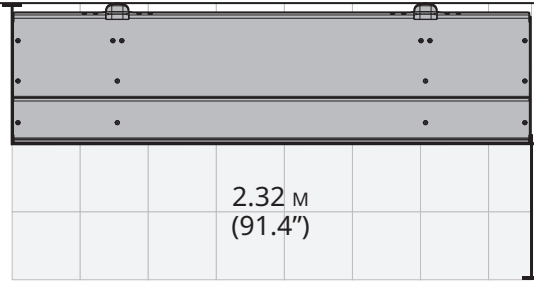
3

Step 3 Hardware		
Description	Qty	
A Bolt (M10x25L)	16	
B Flat Washer (M10)	16	
C Nut (M10)	16	



STORAGE AREA

0.63 M
(24.6")



2.32 M
(91.4")

FREE AREA
0.6 M (2 FT)
WIDE PATH



MG-A528

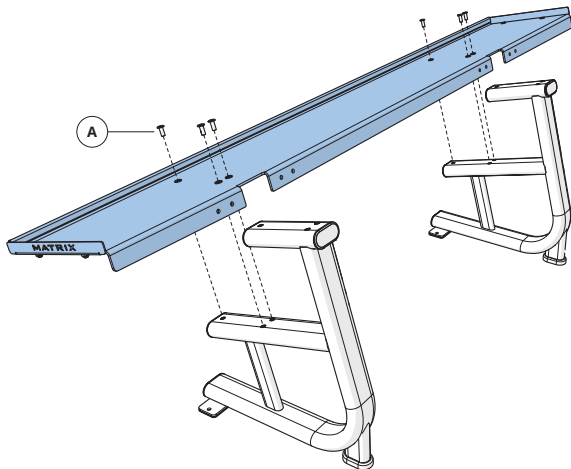


ENGLISH

1

Step 1 Hardware

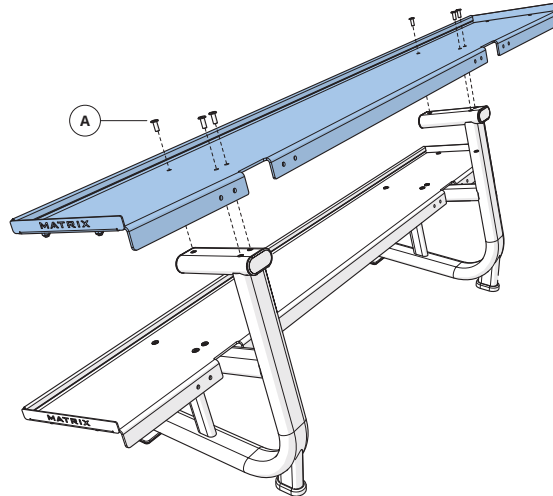
Description	Qty
A Bolt (M10x25L)	6



2

Step 2 Hardware

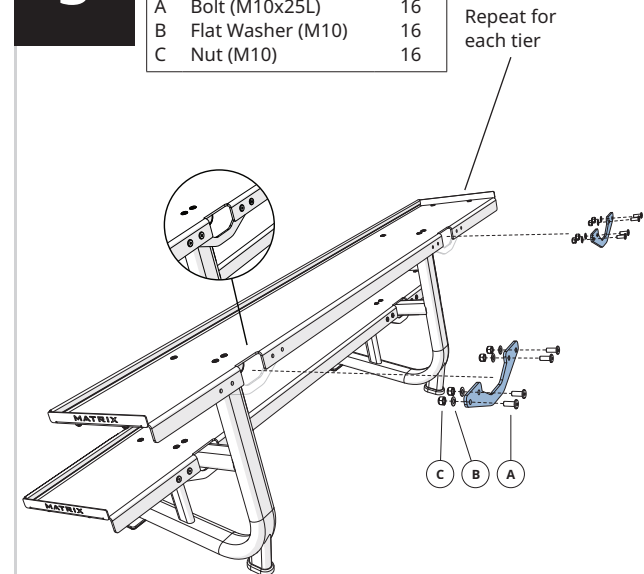
Description	Qty
A Bolt (M10x25L)	6



3

Step 3 Hardware

Description	Qty
A Bolt (M10x25L)	16
B Flat Washer (M10)	16
C Nut (M10)	16





MG-A536

ENGLISH



STORAGE AREA

0.74 M
(28.5")

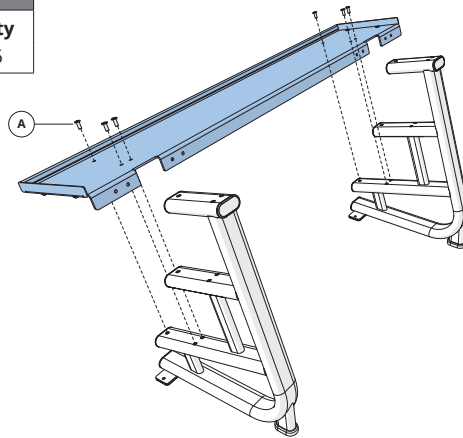
1.86 M
(73.3")

FREE AREA
0.6 M (2 FT)
WIDE PATH

1

Step 1 Hardware

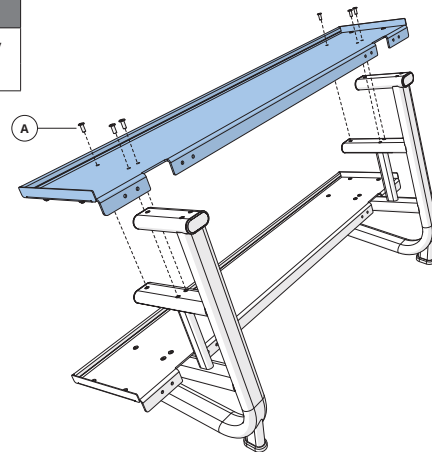
Description	Qty
A Bolt (M10x25L)	6



2

Step 2 Hardware

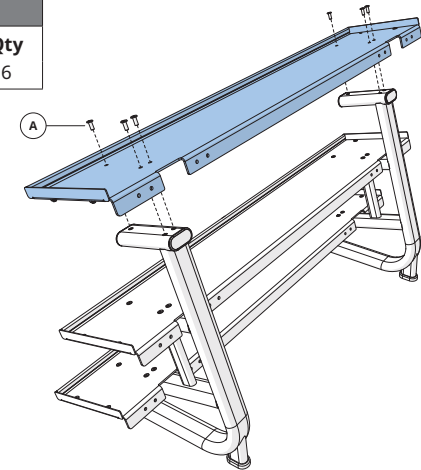
Description	Qty
A Bolt (M10x25L)	6



3

Step 3 Hardware

Description	Qty
A Bolt (M10x25L)	6

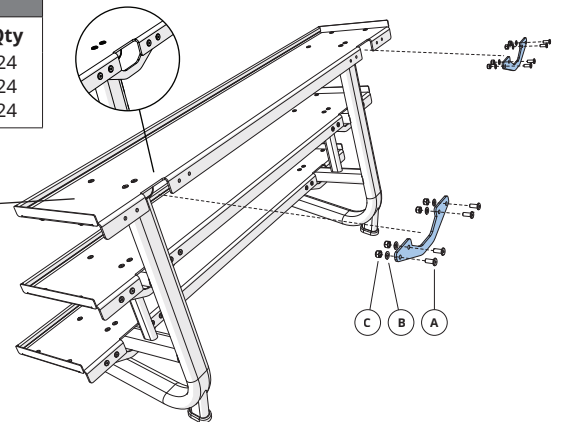


4

Step 4 Hardware

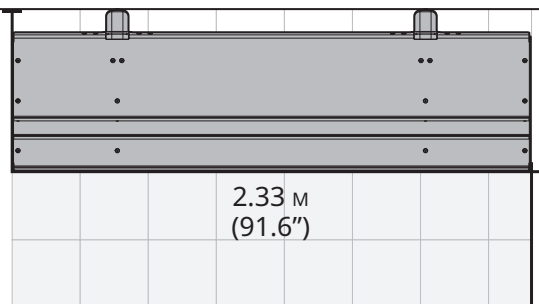
Description	Qty
A Bolt (M10x25L)	24
B Flat Washer (M10)	24
C Nut (M10)	24

Repeat for each tier



STORAGE AREA

0.74 M
(28.5")



FREE AREA
0.6 M (2 FT)
WIDE PATH

MG-A538



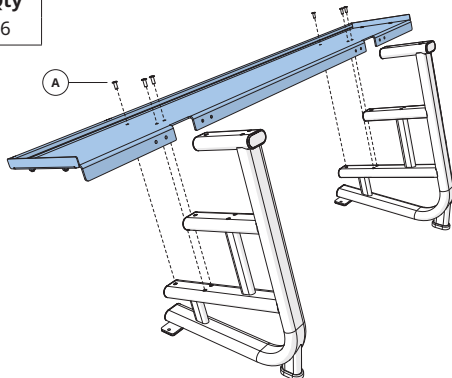
ENGLISH



1

Step 1 Hardware

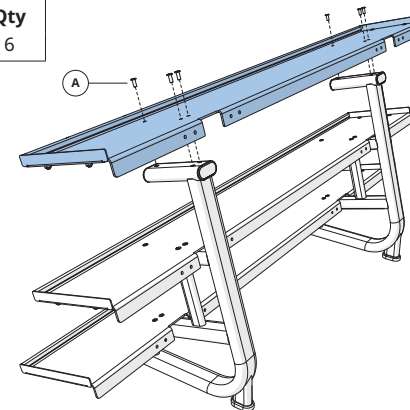
Description	Qty
A Bolt (M10x25L)	6



3

Step 3 Hardware

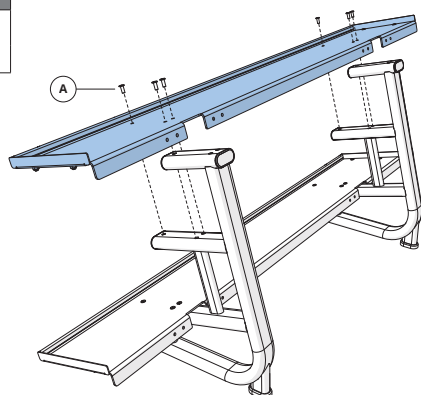
Description	Qty
A Bolt (M10x25L)	6



2

Step 2 Hardware

Description	Qty
A Bolt (M10x25L)	6

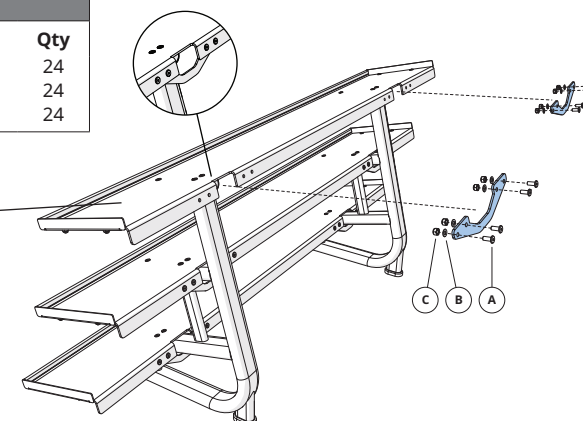


4

Step 4 Hardware

Description	Qty
A Bolt (M10x25L)	24
B Flat Washer (M10)	24
C Nut (M10)	24

Repeat for each tier





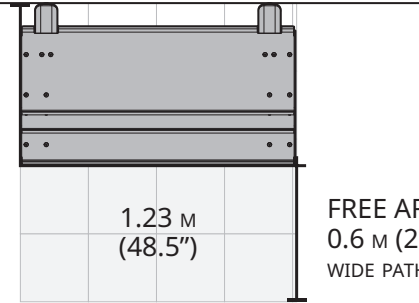
MG-A544

ENGLISH



STORAGE AREA

0.74 M
(28.5")



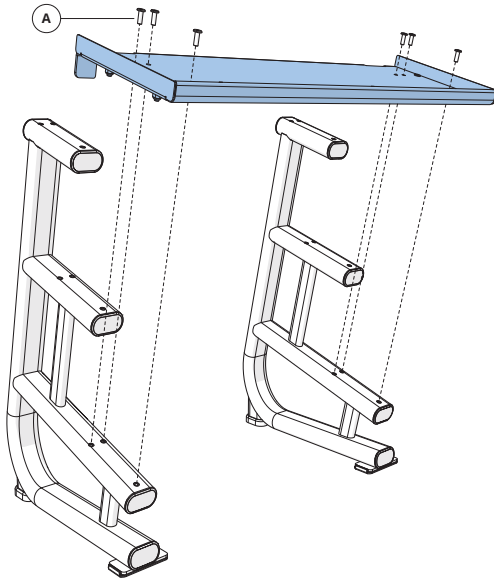
1.23 M
(48.5")

FREE AREA
0.6 M (2 FT)
WIDE PATH

1

Step 1 Hardware

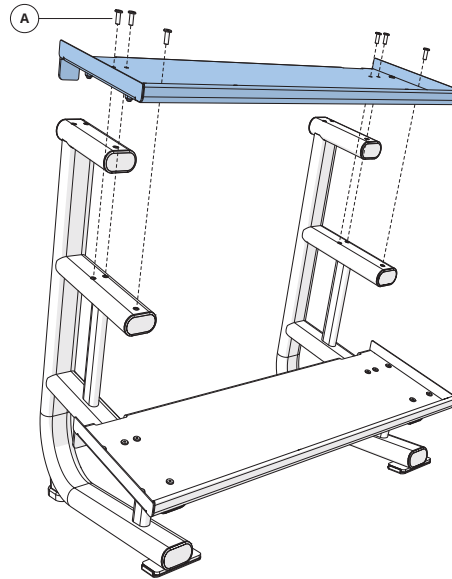
Description	Qty
A Bolt (M10x25L)	6



2

Step 2 Hardware

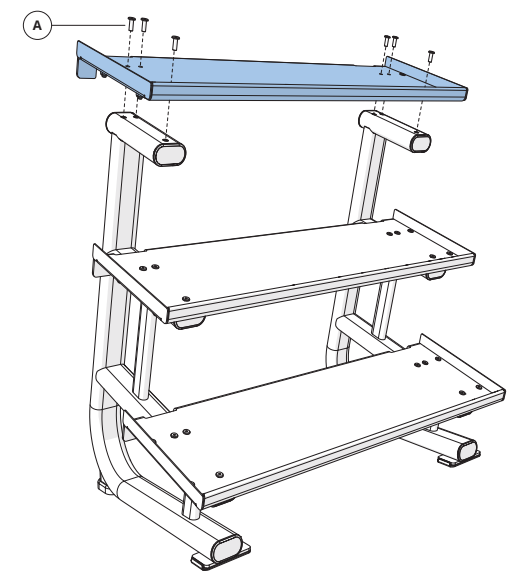
Description	Qty
A Bolt (M10x25L)	6



3

Step 3 Hardware

Description	Qty
A Bolt (M10x25L)	6



MATRIX