

# LANDMINE (BOLT ON) - ASSEMBLY GUIDE

MODEL:

## XR18-02

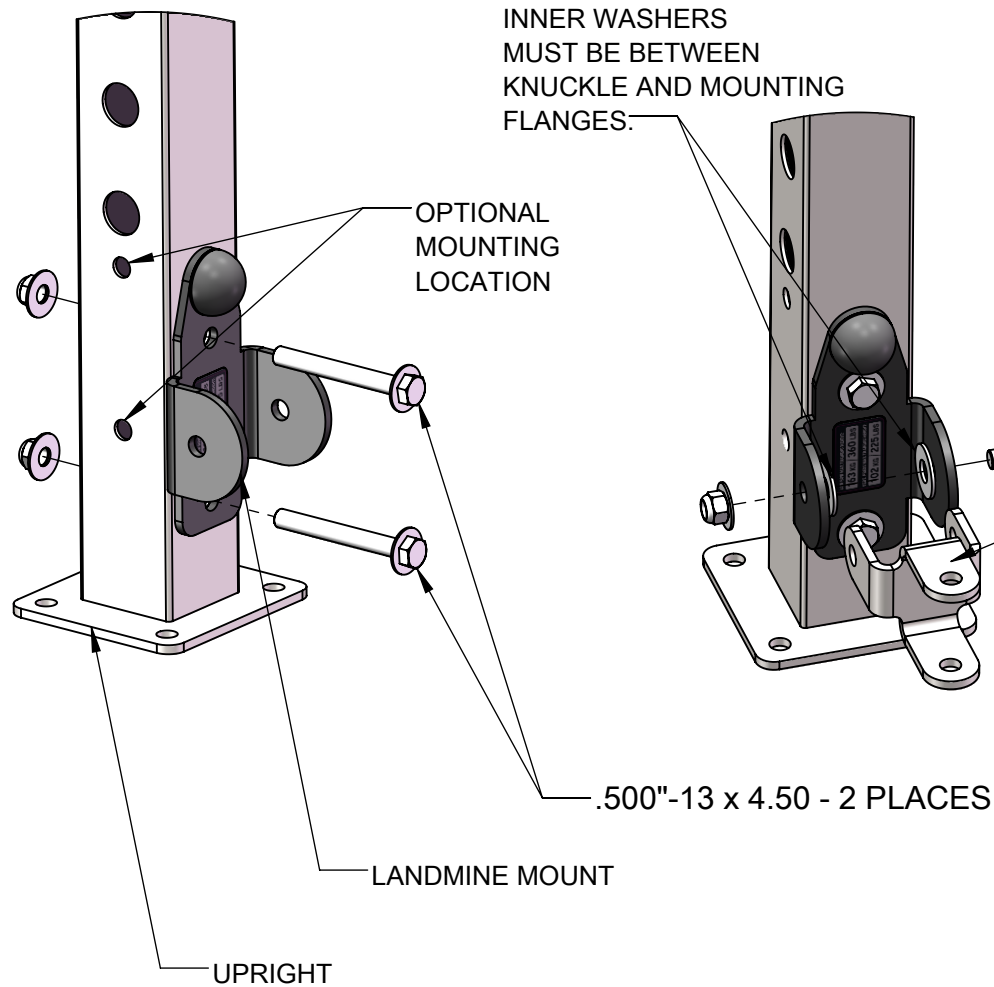
## MATRIX

TOOLS NEEDED: 3/4" WRENCHES X 2.  
TORQUE SCREWS TO 57ft-lbs - \*EXCEPT WHERE NOTED.

ASSEMBLE WITH HARDWARE PROVIDED WITH LANDMINE  
(EXPLODED VIEW SHOWN BELOW FOR REFERENCE ONLY)

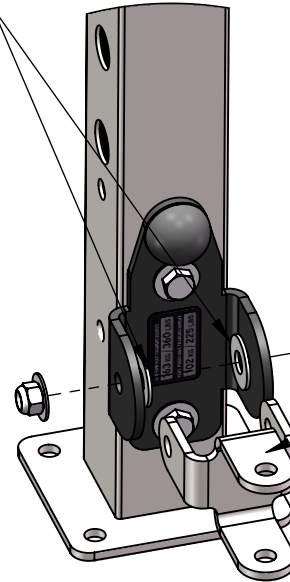
### STEP 1- LANDMINE MOUNT

### STEP 2- KNUCKLE



INNER WASHERS  
MUST BE BETWEEN  
KNUCKLE AND MOUNTING  
FLANGES.

.500"-13 x 4.75" - 1 PLACE  
TIGHTEN BOLT UNTIL  
END OF THE BOLT  
PASSES ALL THE WAY  
THROUGH THE NUT.  
DO NOT OVERTIGHTEN SO  
THE KNUCKLE DOES NOT  
PIVOT FREELY.



LANDMINE  
KNUCKLE

### STEP 3 - TUBE

.500"-13 X 3.75" - 1  
PLACE TIGHTEN BOLT  
UNTIL END OF THE BOLT  
PASSES ALL THE WAY  
THROUGH THE NUT.  
DO NOT OVERTIGHTEN.  
THE KNUCKLE NEEDS  
TO PIVOT FREELY.

