

2 BAR STORAGE - ASSEMBLY GUIDE

MODEL:

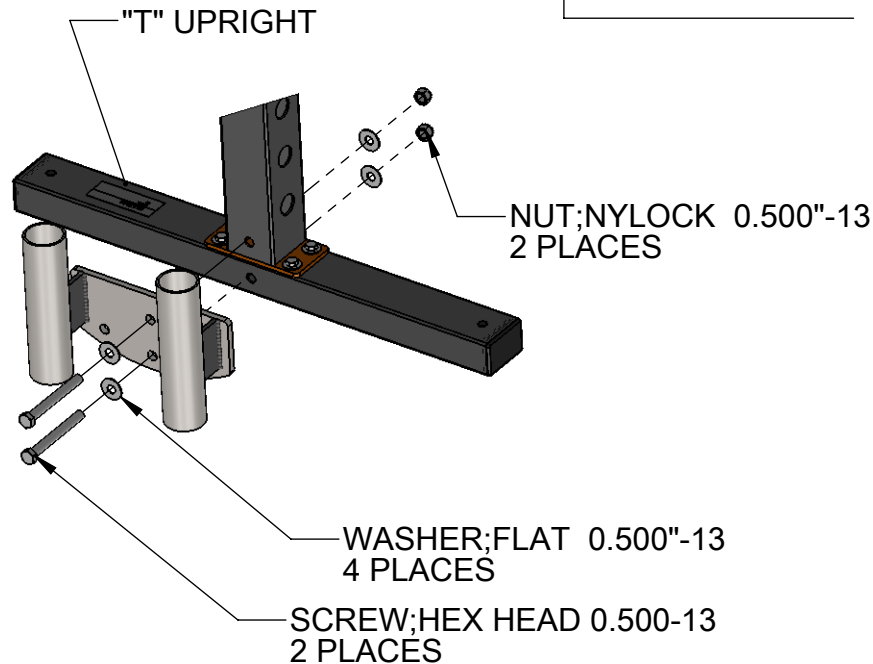
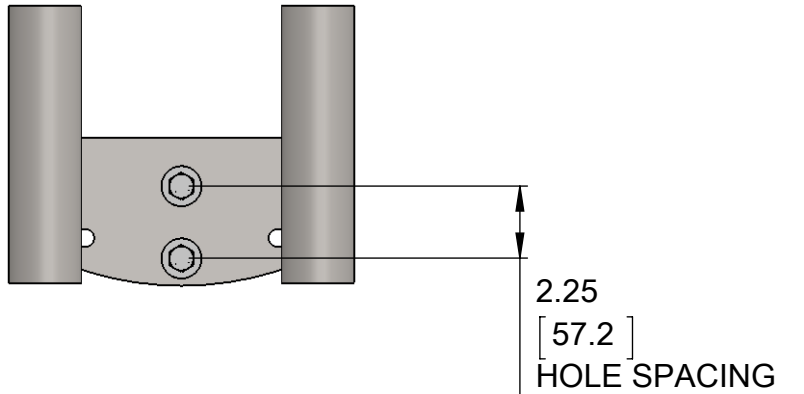
XR23-02

MATRIX

TOOLS NEEDED: 3/4" WRENCHES X 2.
TORQUE SCREWS TO 57ft-lbs

ASSEMBLE WITH HARDWARE PROVIDED WITH THE BAR STORAGE
(EXPLODED VIEW SHOWN BELOW FOR REFERENCE ONLY)

MOUNTING ORIENTATION "T" UPRIGHT



MOUNTING ORIENTATION BOTTOM SUPPORT

