

BAR STORAGE (VERTICAL) - ASSEMBLY GUIDE

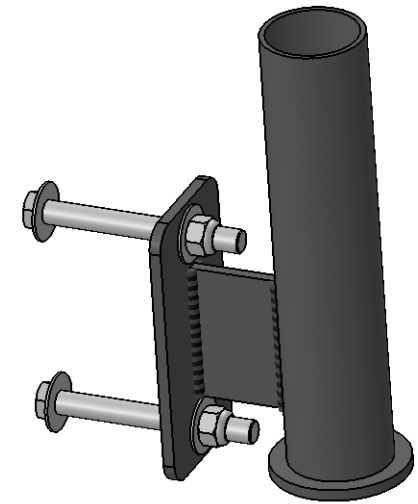
MODEL:

XR34-02

MATRIX

TOOLS NEEDED: 3/4" WRENCHES X 2.
TORQUE SCREWS TO 57ft-lbs

ASSEMBLE WITH HARDWARE PROVIDED WITH BAR STORAGE
(EXPLODED VIEW SHOWN BELOW FOR REFERENCE ONLY)



VERTICAL BAR STORAGE

