

TOOLS NEEDED: 3/4" WRENCHES X 2.
TORQUE SCREWS TO 57ft-lbs.
ASSEMBLE WITH HARDWARE PROVIDED WITH SHELF, UNLESS OTHERWISE SPECIFIED

SEE CUSTOMER ORDER FOR STORAGE SHELF PART NUMBER,
& MOUNTING PART NUMBERS.

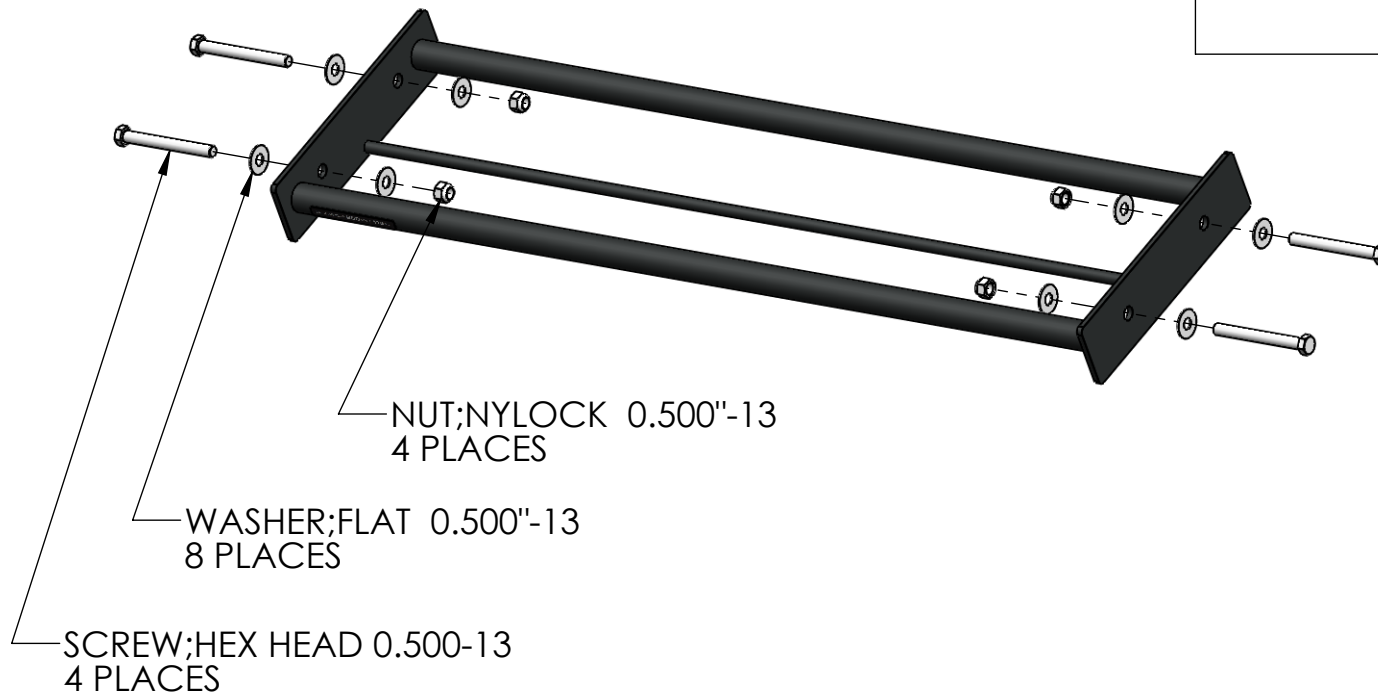
MOUNTING SUPPORT DETAILS SHOWN ON SHEET 2
MOUNTING BRACKET DETAILS SHOWN ON SHEET 3



XS01-02
42" MB/KB SHELF
(SHOWN EXPLODED)



XS02-02
70" MB/KB SHELF

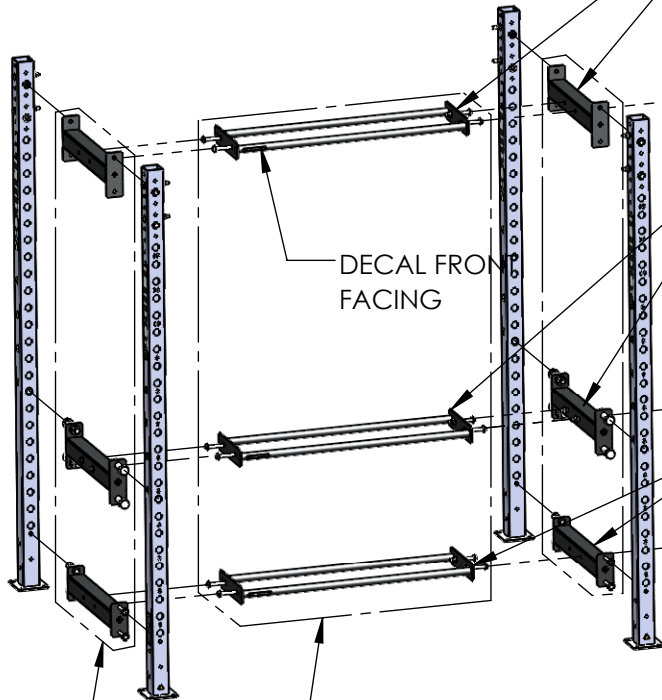


SEE CUSTOMER ORDER FOR STORAGE SHELF PART NUMBERS & MOUNTING SUPPORT PART NUMBERS.
CONSULT WITH CUSTOMER REGARDING SHELF MOUNTING LOCATION & ACCESSORY/ACCESSORIES TO BE STORED.

SINGLE BAY STORAGE EXAMPLE

(SHOWN FOR REFERENCE ONLY)

1. **Install TOP STORAGE SHELF**
2. **Install BASE STORAGE SHELF**
3. **Install MIDDLE STORAGE SHELF/SHELVES**



TOP STORAGE SHELF

XS01-02 42" MB/SB SHELF &
XR04-02 2' SUPPORT (SHOWN HERE)
SEE 2' SUPPORT ASSEMBLY GUIDE

MIDDLE STORAGE SHELF/SHELVES

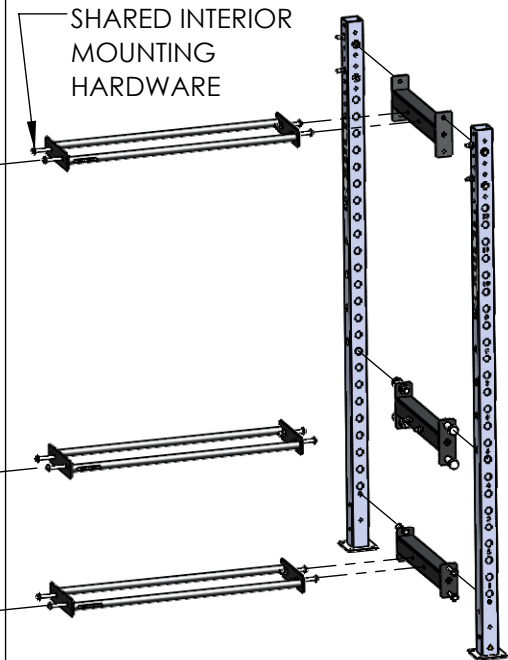
XS01-02 42" MB/SB SHELF &
XR39-02 2' MIDDLE SUPPORT
(SHOWN HERE)
SEE 2' MIDDLE SUPPORT ASSEMBLY GUIDE

BASE STORAGE SHELF

XS01-02 42" MB/SB SHELF &
XR31-02 2' BASE SUPPORT (SHOWN HERE)
SEE 2' BASE SUPPORT ASSEMBLY GUIDE

ADDITIONAL STORAGE BAY EXAMPLE

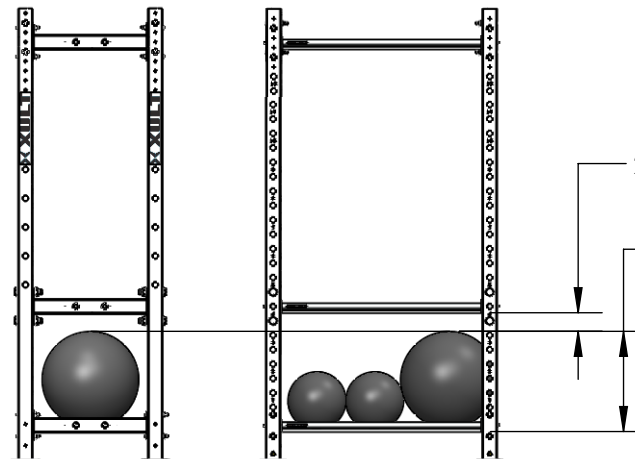
(SHOWN FOR REFERENCE ONLY)



**MIDDLE STORAGE SHELF/SHELVES
MOUNTING HEIGHT GUIDE**

2.0" MINIMUM CLEARANCE

DETERMINE THE MAXIMUM HEIGHT
OF ACCESSORY/ACCESSORIES
FOR EACH STORAGE SHELF.



SINGLE BAY STORAGE EXAMPLE

(SHOWN FOR REFERENCE ONLY)

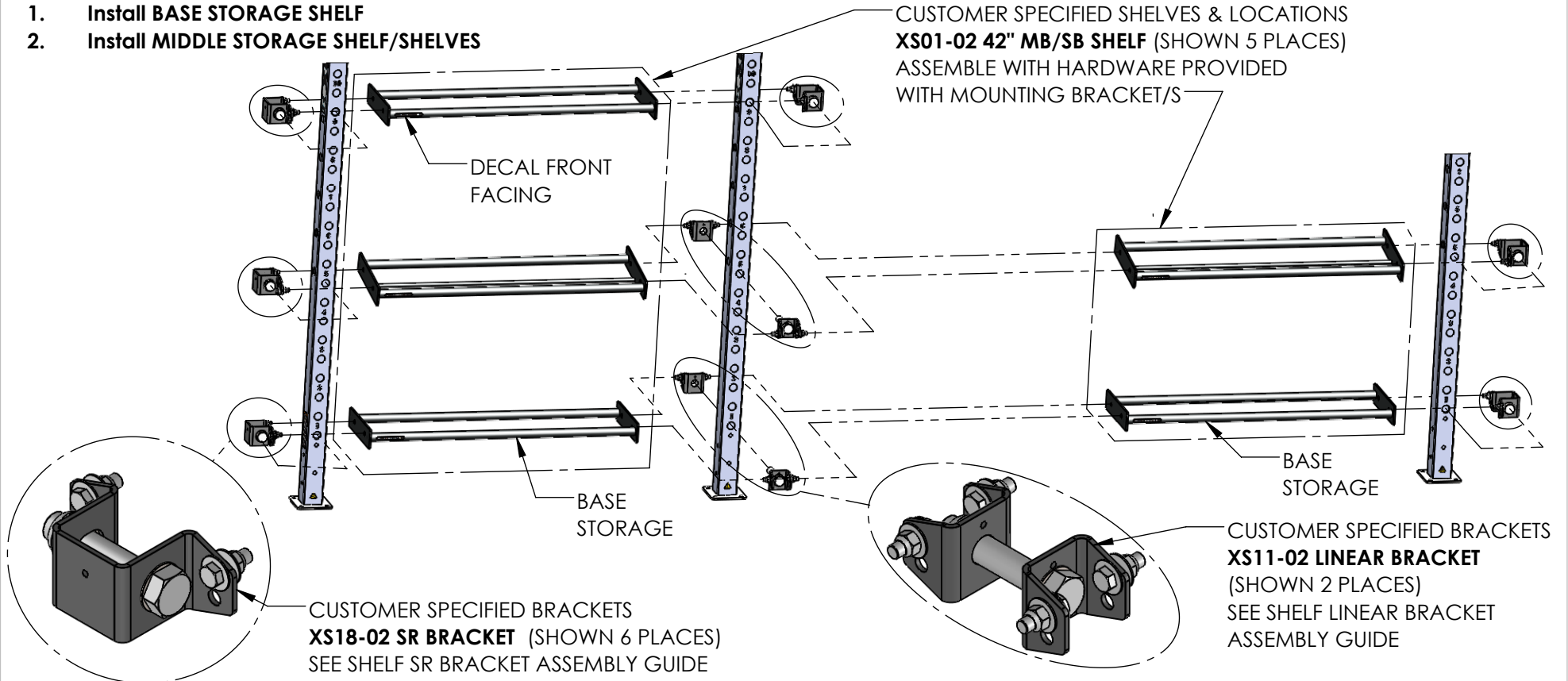
CUSTOMER SPECIFIED
SHELVES & LOCATIONS

CUSTOMER SPECIFIED MOUNTING
SUPPORTS

SEE CUSTOMER ORDER FOR STORAGE SHELF PART NUMBERS & MOUNTING BRACKET PART NUMBERS.
 CONSULT WITH CUSTOMER REGARDING SHELF MOUNTING LOCATION & ACCESSORY/ACCESSORIES TO BE STORED.

TWO BAY STORAGE EXAMPLE (SHOWN FOR REFERENCE ONLY)

1. Install **BASE STORAGE SHELF**
2. Install **MIDDLE STORAGE SHELF/SHELVES**



**MIDDLE STORAGE SHELF/SHELVES
 MOUNTING HEIGHT GUIDE**

