

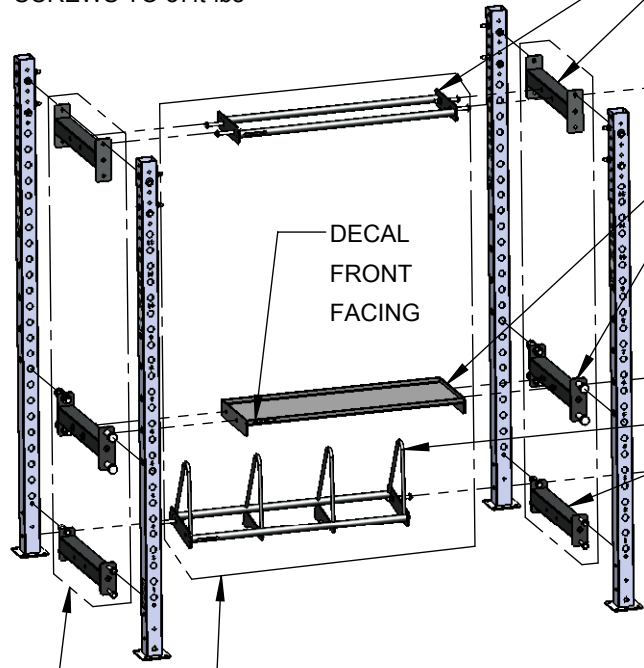
SEE CUSTOMER ORDER FOR STORAGE SHELF PART NUMBERS & MOUNTING SUPPORT PART NUMBERS.
 CONSULT WITH CUSTOMER REGARDING SHELF MOUNTING LOCATION & ACCESSORY/ACCESSORIES TO BE STORED.

SINGLE BAY STORAGE EXAMPLE

(SHOWN FOR REFERENCE ONLY)

1. Install **TOP STORAGE SHELF**
2. Install **BASE STORAGE SHELF**
3. Install **MIDDLE STORAGE SHELF/SHELVES**

TOOLS NEEDED: 3/4" WRENCHES X 2. TORQUE SCREWS TO 57ft-lbs



DECAL
FRONT
FACING

CUSTOMER SPECIFIED
SHELVES & LOCATIONS

CUSTOMER SPECIFIED
MOUNTING SUPPORTS

TOP STORAGE SHELF

XS01-04 107cm/42" MB/KB SHELF &
XR04-02 2' SUPPORT (SHOWN HERE)

MIDDLE STORAGE SHELF/SHELVES

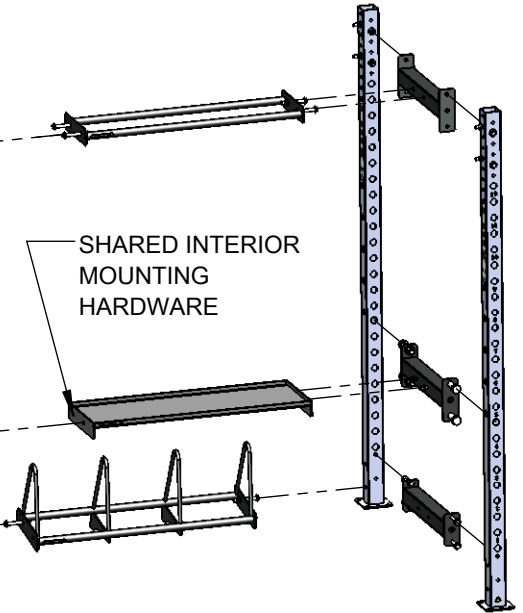
XS05-02 107cm/42" DB/KB SHELF &
XR39-02 2' MIDDLE SUPPORT (SHOWN HERE)
SEE 2' MIDDLE SUPPORT ASSEMBLY GUIDE
ASSEMBLE WITH HARDWARE PROVIDED WITH
SUPPORT

BASE STORAGE SHELF

XS07-04 BP/BOSU STORAGE &
XR31-02 2' BASE SUPPORT (SHOWN HERE)

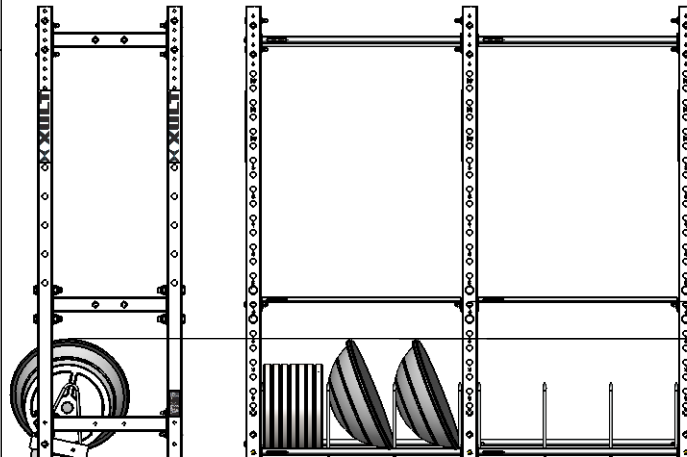
ADDITIONAL STORAGE BAY EXAMPLE

(SHOWN FOR REFERENCE ONLY)



SHARED INTERIOR
MOUNTING
HARDWARE

**MIDDLE STORAGE SHELF/SHELVES
MOUNTING HEIGHT GUIDE**



2.0" MINIMUM CLEARANCE

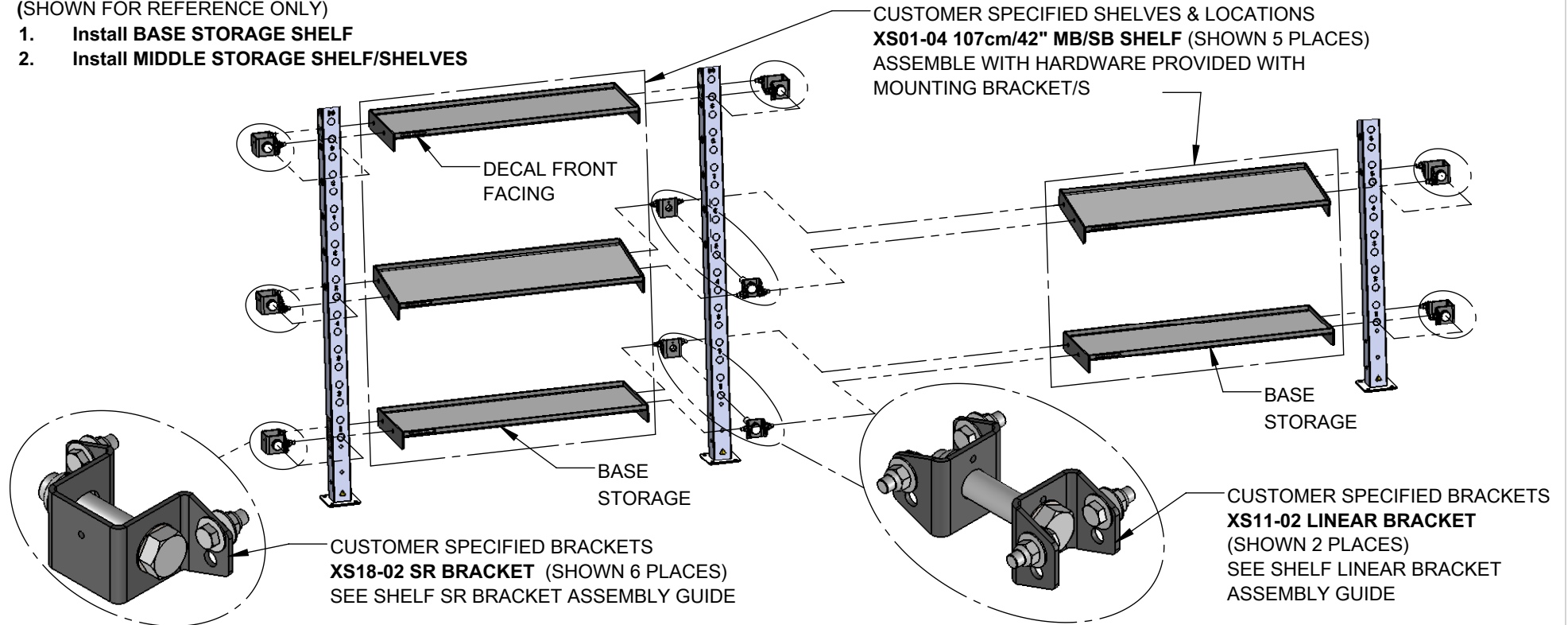
DETERMINE THE MAXIMUM HEIGHT
OF ACCESSORY/ACCESSORIES FOR
EACH STORAGE SHELF.

SEE CUSTOMER ORDER FOR STORAGE SHELF PART NUMBERS & MOUNTING BRACKET PART NUMBERS.
 CONSULT WITH CUSTOMER REGARDING SHELF MOUNTING LOCATION & ACCESSORY/ACCESSORIES TO BE STORED.

TWO BAY STORAGE EXAMPLE

(SHOWN FOR REFERENCE ONLY)

1. Install **BASE STORAGE SHELF**
2. Install **MIDDLE STORAGE SHELF/SHELVES**



**MIDDLE STORAGE SHELF/SHELVES
 MOUNTING HEIGHT GUIDE**

