

**TOOLS NEEDED:** 3/4" WRENCHES X 2.  
TORQUE SCREWS TO 57ft-lbs.  
ASSEMBLE WITH HARDWARE PROVIDED WITH SHELF

SEE CUSTOMER ORDER FOR STORAGE SHELF PART NUMBER & MOUNTING PART NUMBERS

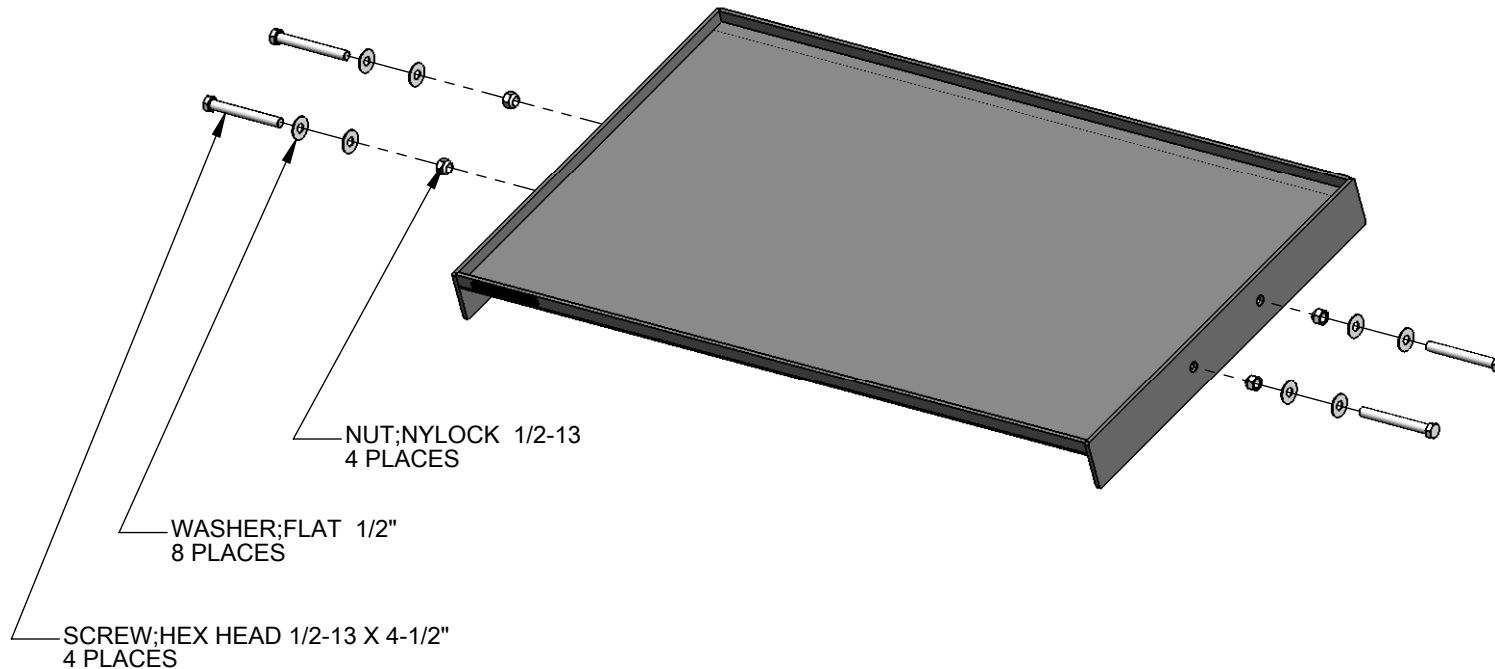
MOUNTING SUPPORT DETAILS SHOWN ON SHEET 2 MOUNTING BRACKET DETAILS SHOWN ON SHEET 3



XS09-02  
107cm/42" STORAGE SHELF  
(SHOWN EXPLODED)



XS10-02  
178cm/70" STORAGE SHELF

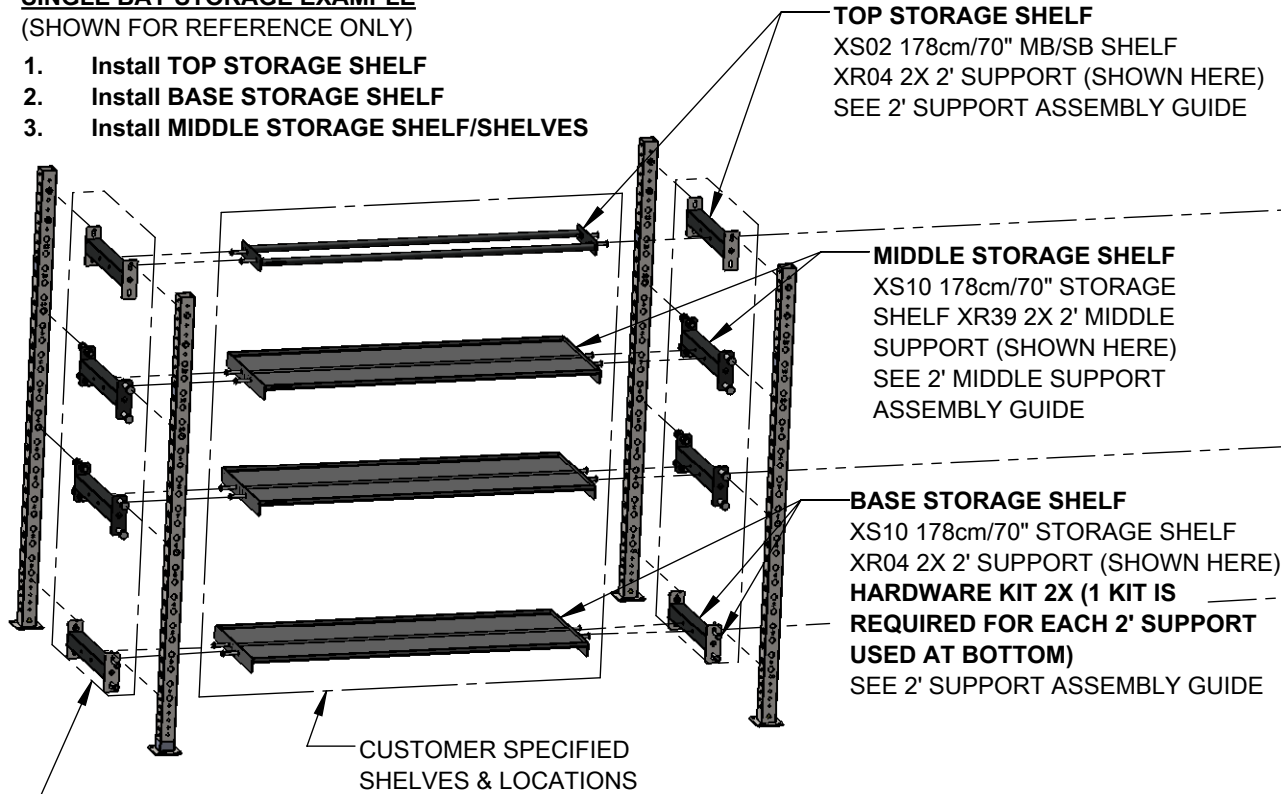


SEE CUSTOMER ORDER FOR STORAGE SHELF PART NUMBERS & MOUNTING SUPPORT PART NUMBERS.  
CONSULT WITH CUSTOMER REGARDING SHELF MOUNTING LOCATION & ACCESSORY/ACCESSORIES TO BE STORED.

**SINGLE BAY STORAGE EXAMPLE**

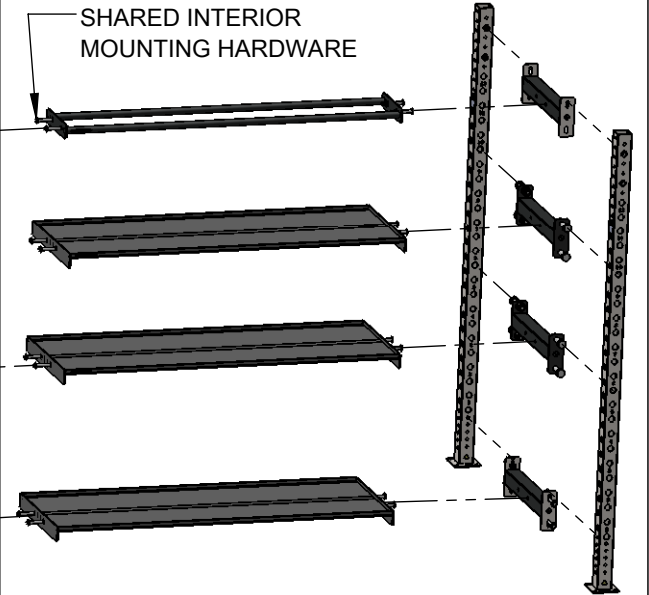
(SHOWN FOR REFERENCE ONLY)

1. Install **TOP STORAGE SHELF**
2. Install **BASE STORAGE SHELF**
3. Install **MIDDLE STORAGE SHELF/SHELVES**

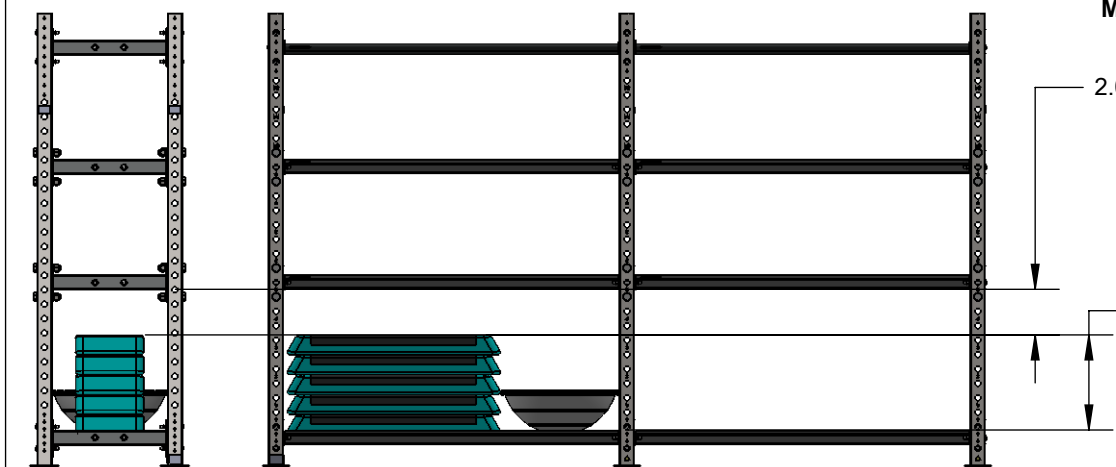


**ADDITIONAL STORAGE BAY EXAMPLE**

(SHOWN FOR REFERENCE ONLY)



CUSTOMER SPECIFIED MOUNTING SUPPORTS



**MIDDLE STORAGE SHELF/SHELVES MOUNTING HEIGHT GUIDE**

DETERMINE THE MAXIMUM HEIGHT OF ACCESSORY/ACCESSORIES FOR EACH STORAGE SHELF

SEE CUSTOMER ORDER FOR STORAGE SHELF PART NUMBERS & MOUNTING BRACKET PART NUMBERS.  
CONSULT WITH CUSTOMER REGARDING SHELF MOUNTING LOCATION & ACCESSORY/ACCESSORIES TO BE STORED.

**TWO BAY STORAGE EXAMPLE** (SHOWN FOR REFERENCE ONLY)

1. Install **BASE STORAGE SHELF**
2. Install **MIDDLE STORAGE SHELF/SHELVES**

