

STORAGE SHELF - ASSEMBLY GUIDE

SHEET 1 OF 3

MODEL:
XS09-02 & XS10-02



TOOLS NEEDED: 3/4" WRENCHES X 2.
TORQUE SCREWS TO 57ft-lbs.
ASSEMBLE WITH HARDWARE PROVIDED WITH SHELF

SEE CUSTOMER ORDER FOR STORAGE SHELF PART NUMBER &
MOUNTING PART NUMBERS

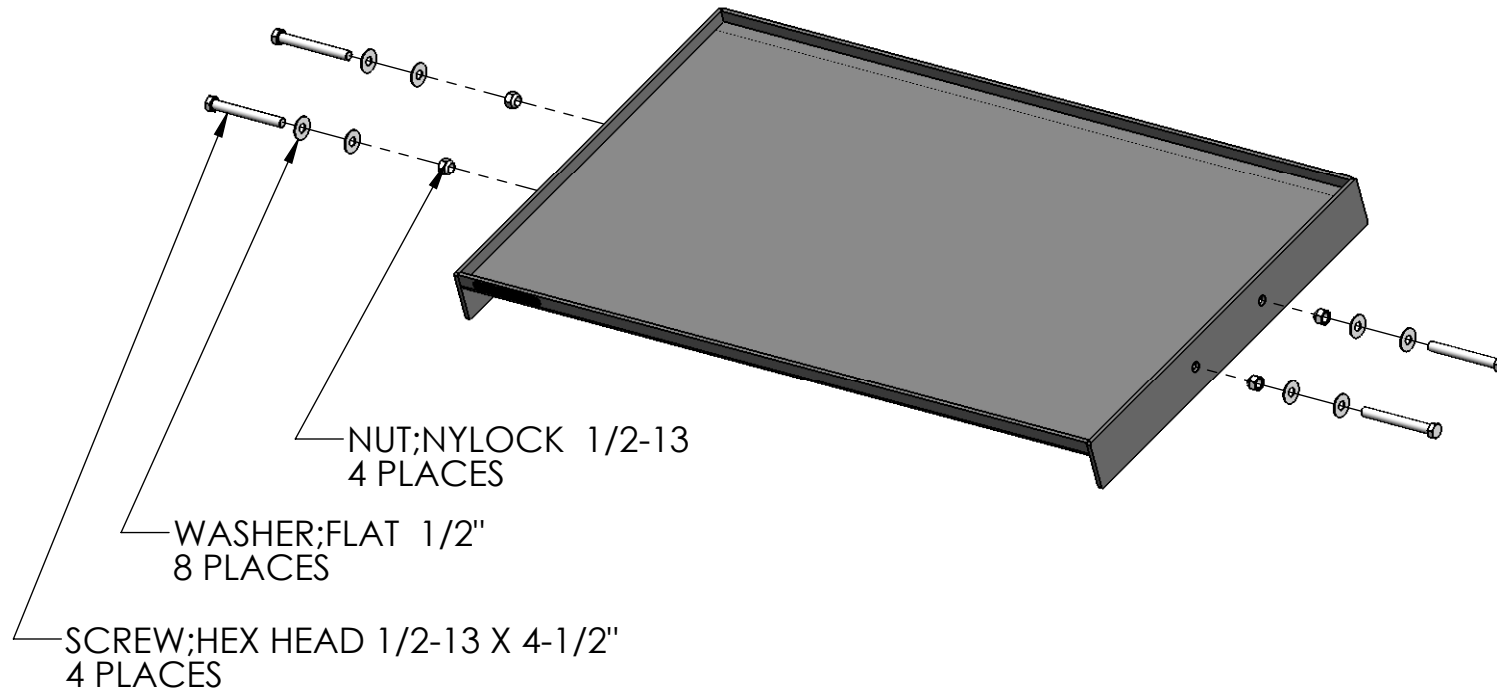
MOUNTING SUPPORT DETAILS SHOWN ON SHEET 2
MOUNTING BRACKET DETAILS SHOWN ON SHEET 3



XS09-02
42" STORAGE SHELF
(SHOWN EXPLODED)



XS10-02
70" STORAGE SHELF

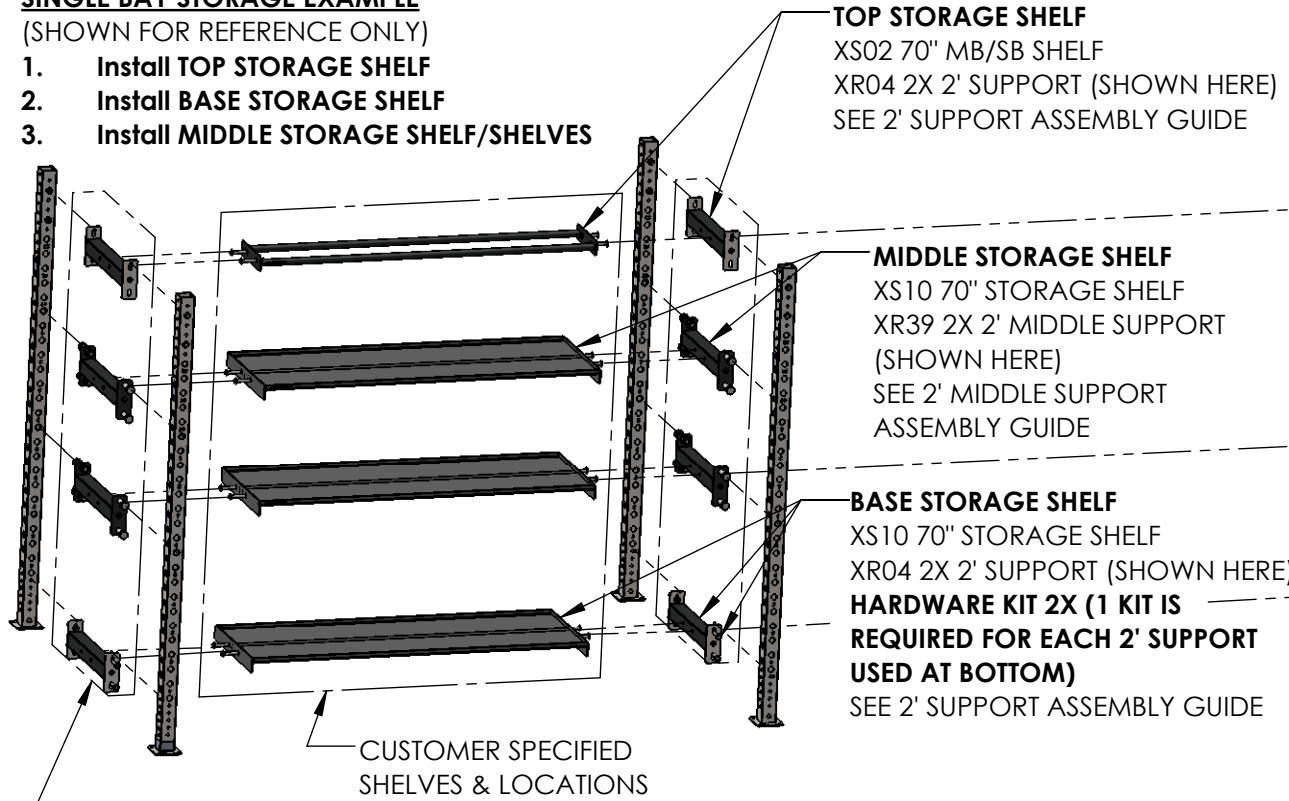


SEE CUSTOMER ORDER FOR STORAGE SHELF PART NUMBERS & MOUNTING SUPPORT PART NUMBERS.
CONSULT WITH CUSTOMER REGARDING SHELF MOUNTING LOCATION & ACCESSORY/ACCESSORIES TO BE STORED.

SINGLE BAY STORAGE EXAMPLE

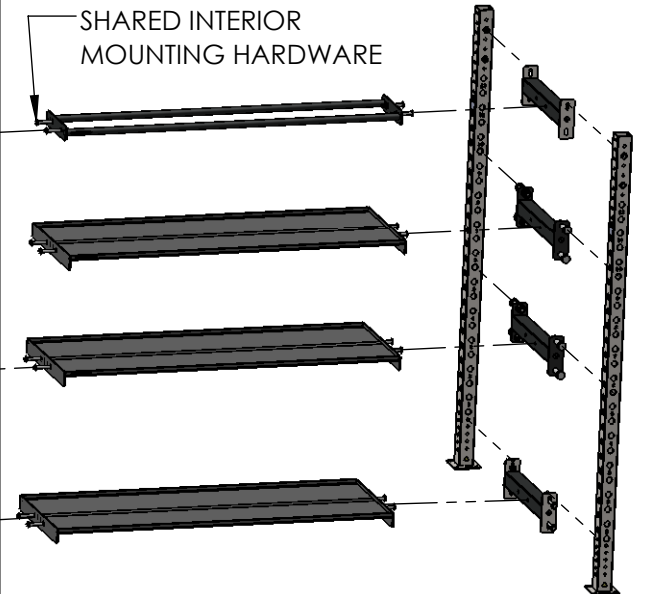
(SHOWN FOR REFERENCE ONLY)

1. **Install TOP STORAGE SHELF**
2. **Install BASE STORAGE SHELF**
3. **Install MIDDLE STORAGE SHELF/SHELVES**



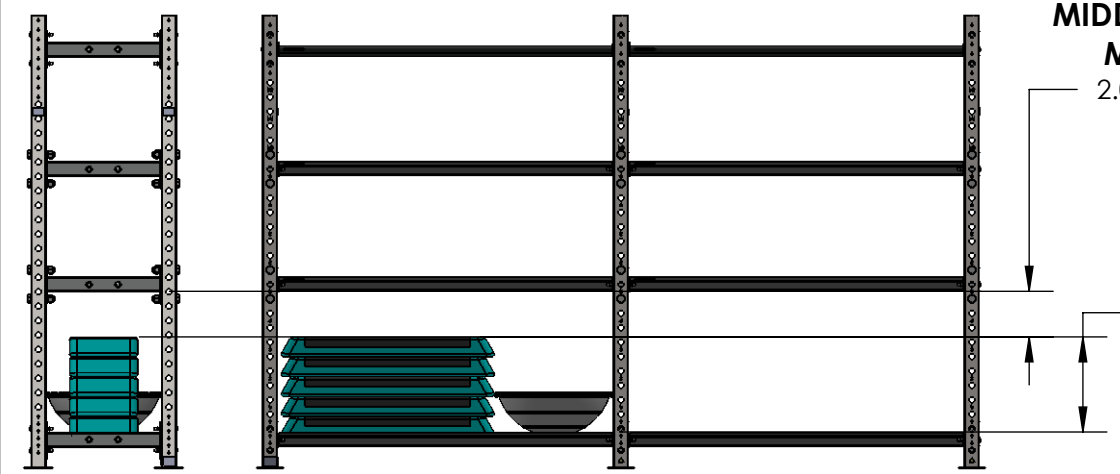
ADDITIONAL STORAGE BAY EXAMPLE

(SHOWN FOR REFERENCE ONLY)



MIDDLE STORAGE SHELF/SHELVES MOUNTING HEIGHT GUIDE

2.0" MINIMUM CLEARANCE



SEE CUSTOMER ORDER FOR STORAGE SHELF PART NUMBERS & MOUNTING BRACKET PART NUMBERS.
CONSULT WITH CUSTOMER REGARDING SHELF MOUNTING LOCATION & ACCESSORY/ACCESSORIES TO BE STORED.

TWO BAY STORAGE EXAMPLE (SHOWN FOR REFERENCE ONLY)

1. Install **BASE STORAGE SHELF**
2. Install **MIDDLE STORAGE SHELF/SHELVES**

