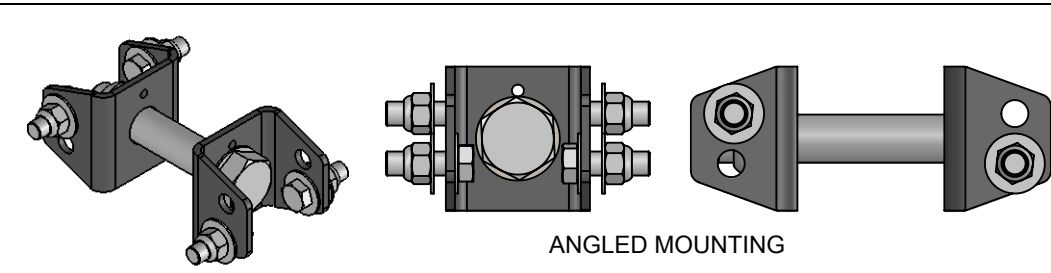
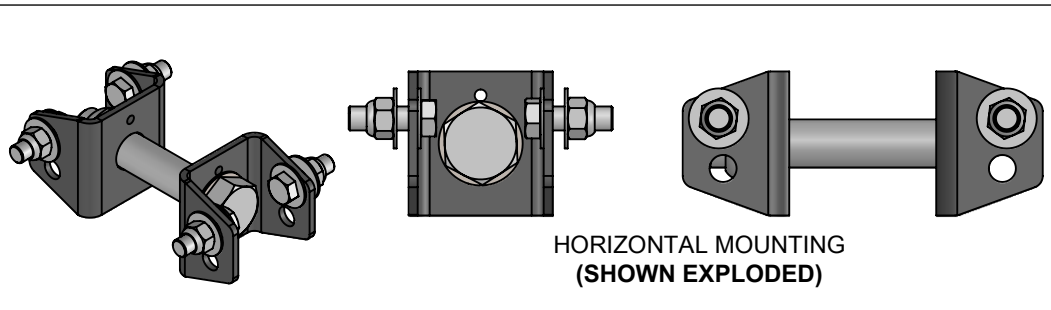
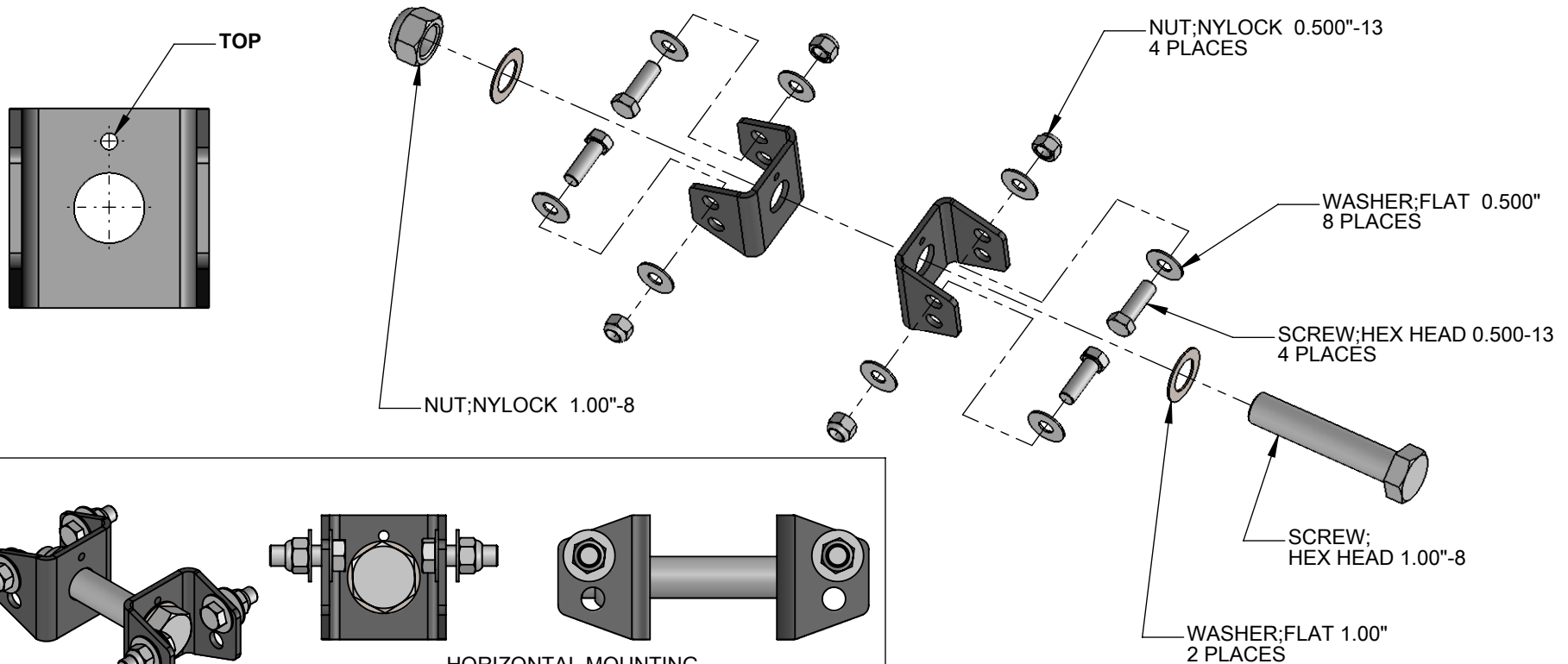


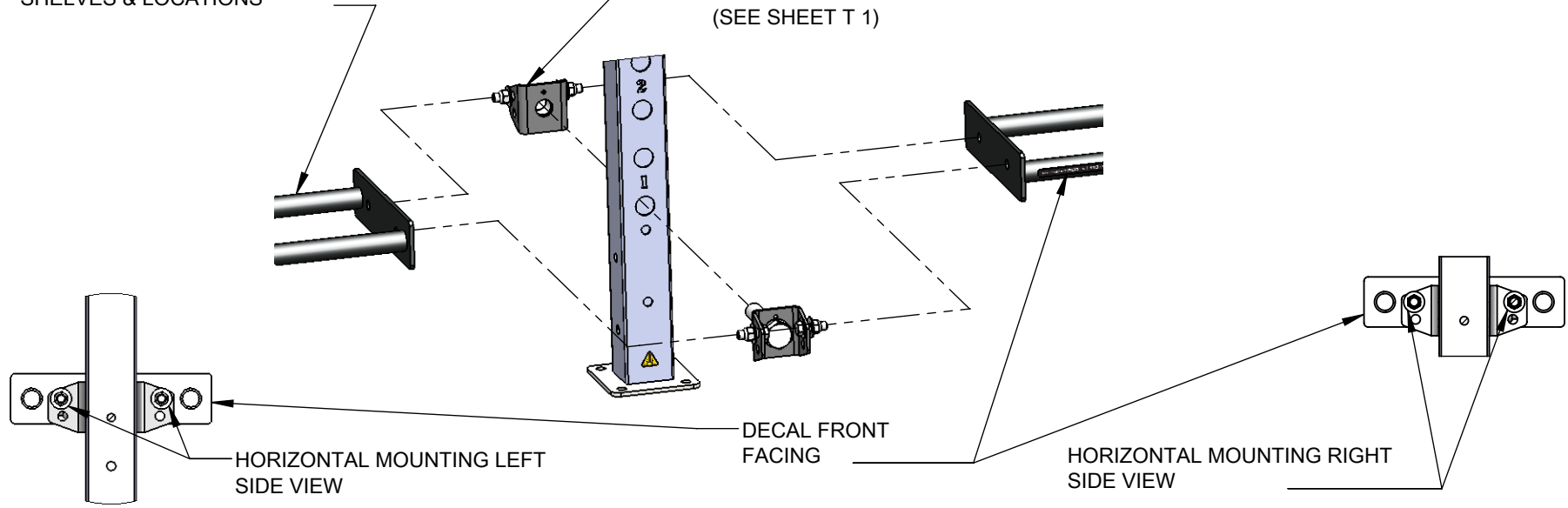
TOOLS NEEDED: 3/4" WRENCHES X 2.
 1 1/2" WRENCHES X2.
 TORQUE SCREWS TO 57 ft-lbs

ASSEMBLE WITH PROVIDED BRACKETS AND HARDWARE (EXPLODED VIEW SHOWN BELOW FOR REFERENCE ONLY) SEE SHELF MOUNTING DETAILS SHOWN ON SHEET 2



CUSTOMER SPECIFIED
SHELVES & LOCATIONS

XS11-02 SHELF LINEAR BRACKET MOUNTING EXAMPLE: HORIZONTAL SHELF MOUNTING
XS01-04 107cm/42" MB/SB SHELF (SHOWN EXPLODED FOR REFERENCE ONLY)
ASSEMBLE WITH HARDWARE PROVIDED WITH BRACKETS
(SEE SHEET T 1)



CUSTOMER SPECIFIED
SHELVES & LOCATIONS

XS11-02 SHELF LINEAR BRACKET MOUNTING EXAMPLE:
ANGLED SHELF MOUNTING
XS01-02 107cm/42" MB/SB SHELF (SHOWN EXPLODED FOR REFERENCE ONLY)
ASSEMBLE WITH HARDWARE PROVIDED WITH BRACKETS
(SEE SHEET T 1)

